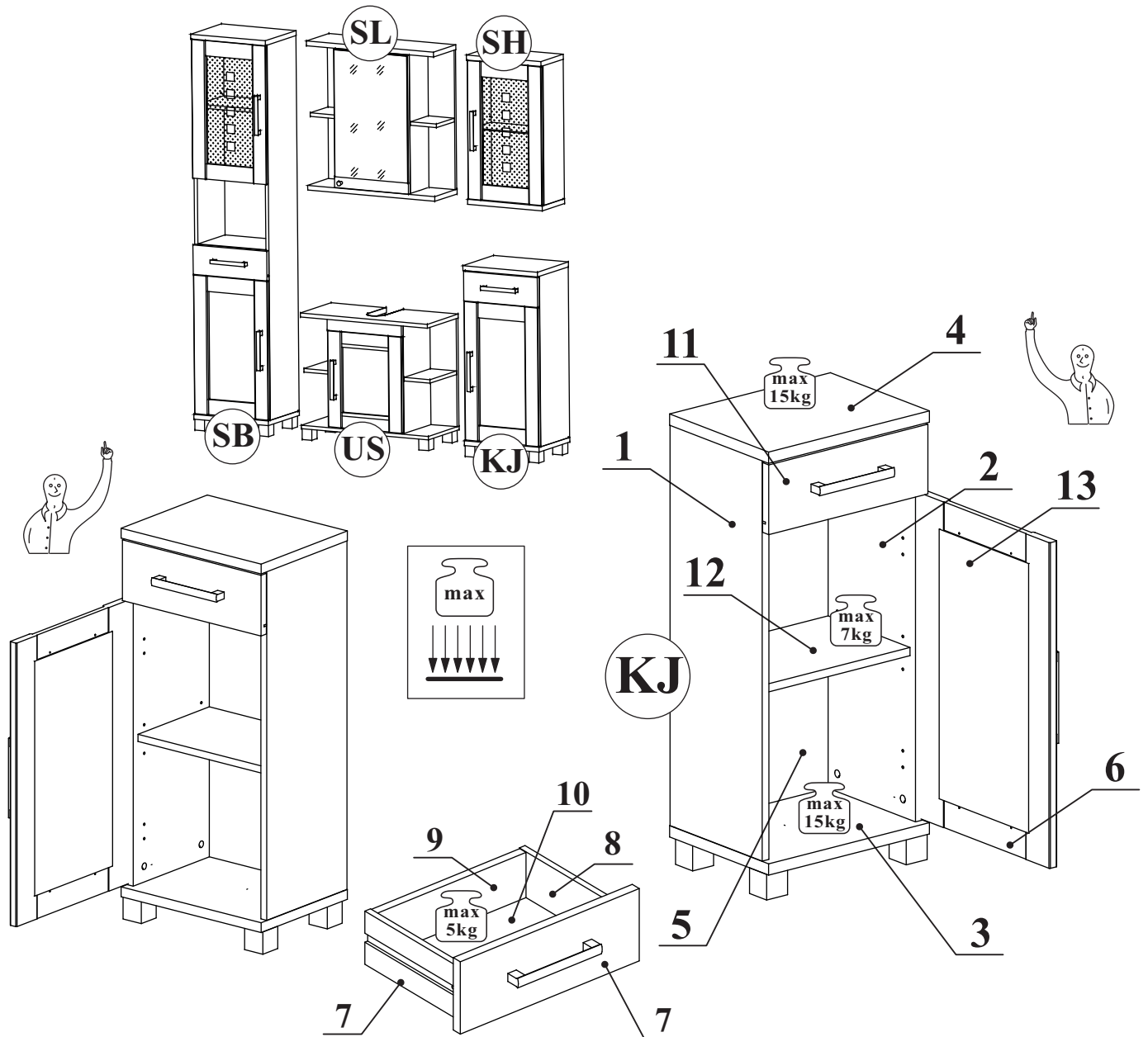
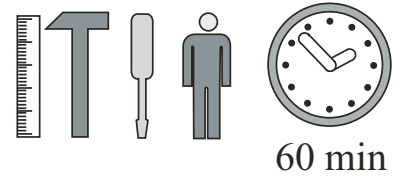


POSEJDON KJ 36-701-__-6



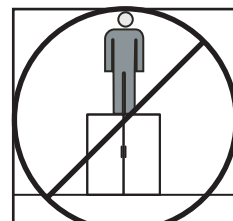
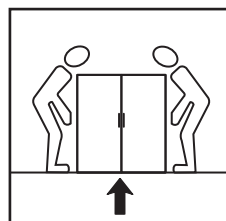
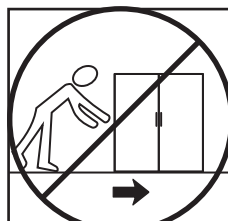
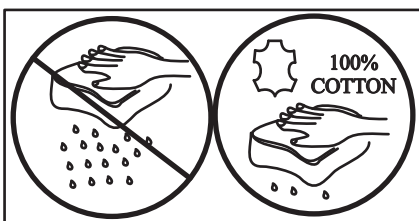
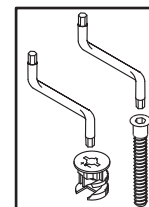
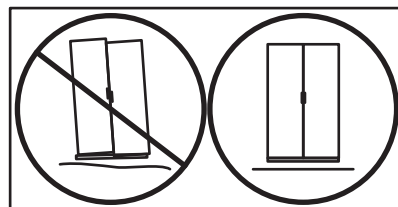
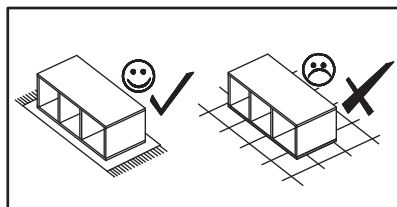
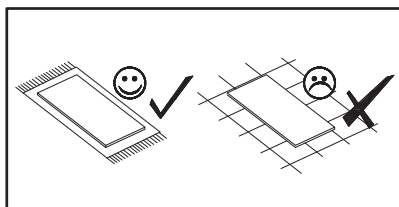
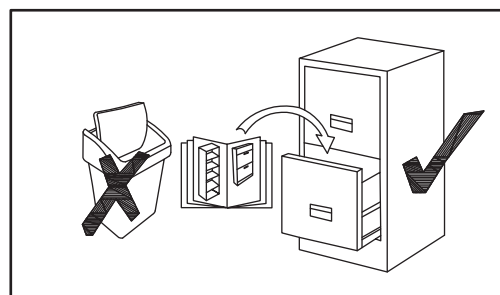
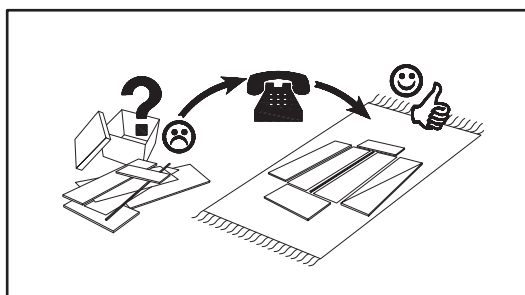
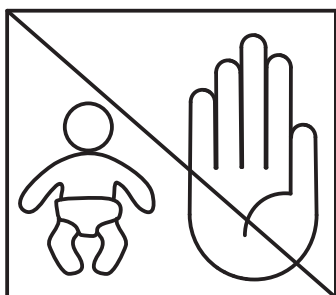
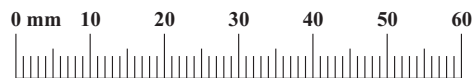
NO	Dim.		Col.-No	Qty
11	380	136	1	1
7	250	100	1	1
8	250	100	1	1
9	316	85	1	1
4	384	293	1	1
3	384	293	1	1
1	781	270	1	1
2	781	270	1	1
5	795	364	1	1
10	255	327	1	1
6	635	380	1	1
13	526	262	1	1



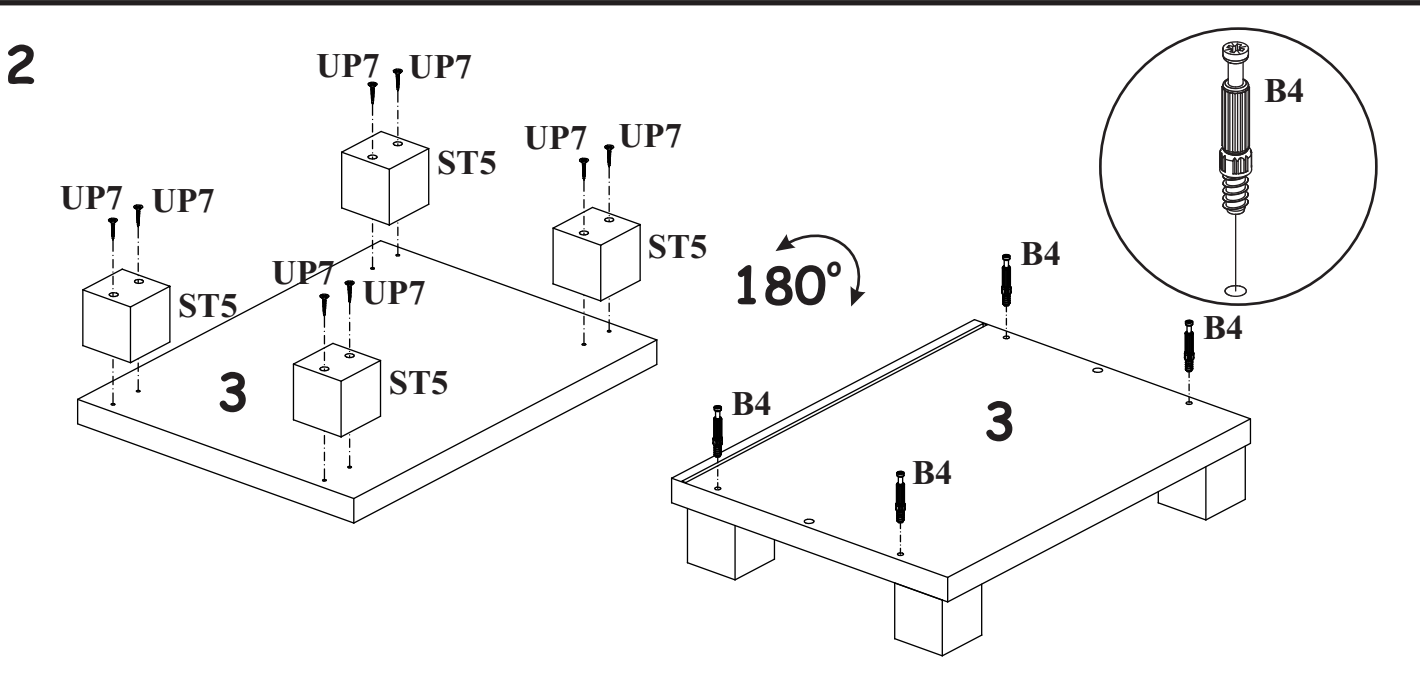
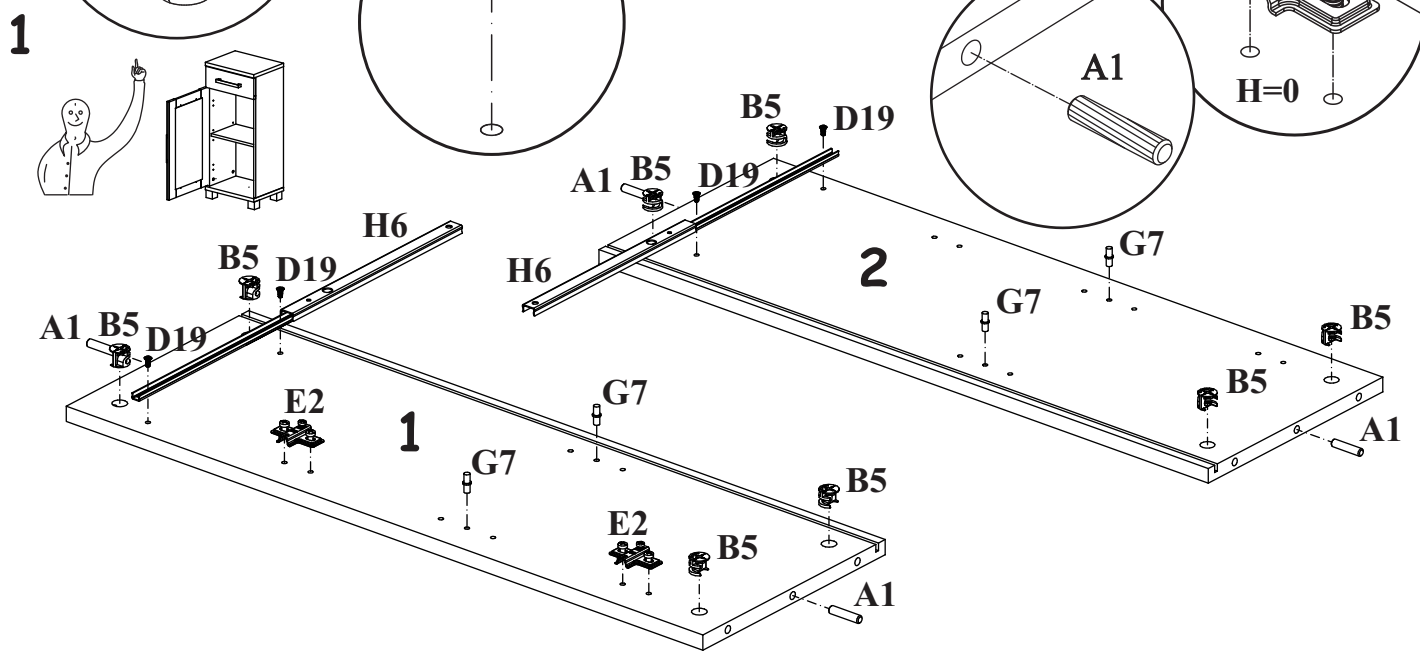
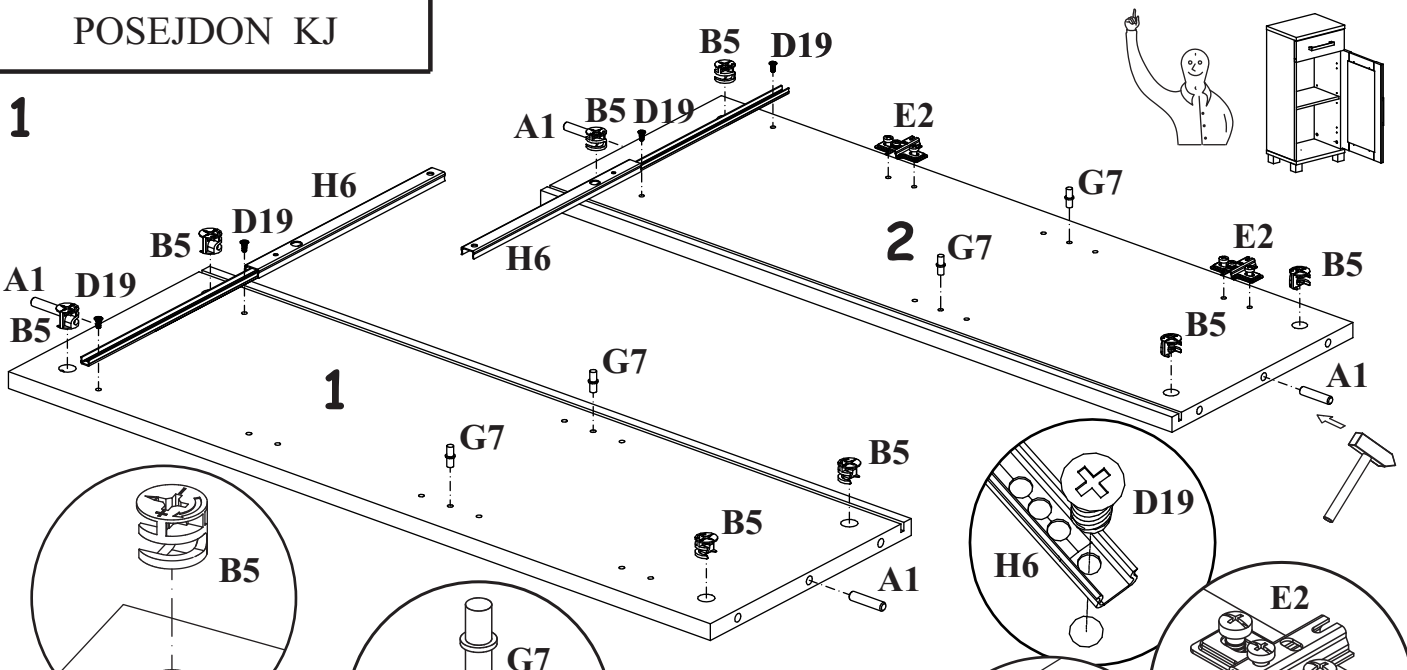
60 min

POSEJDON KJ

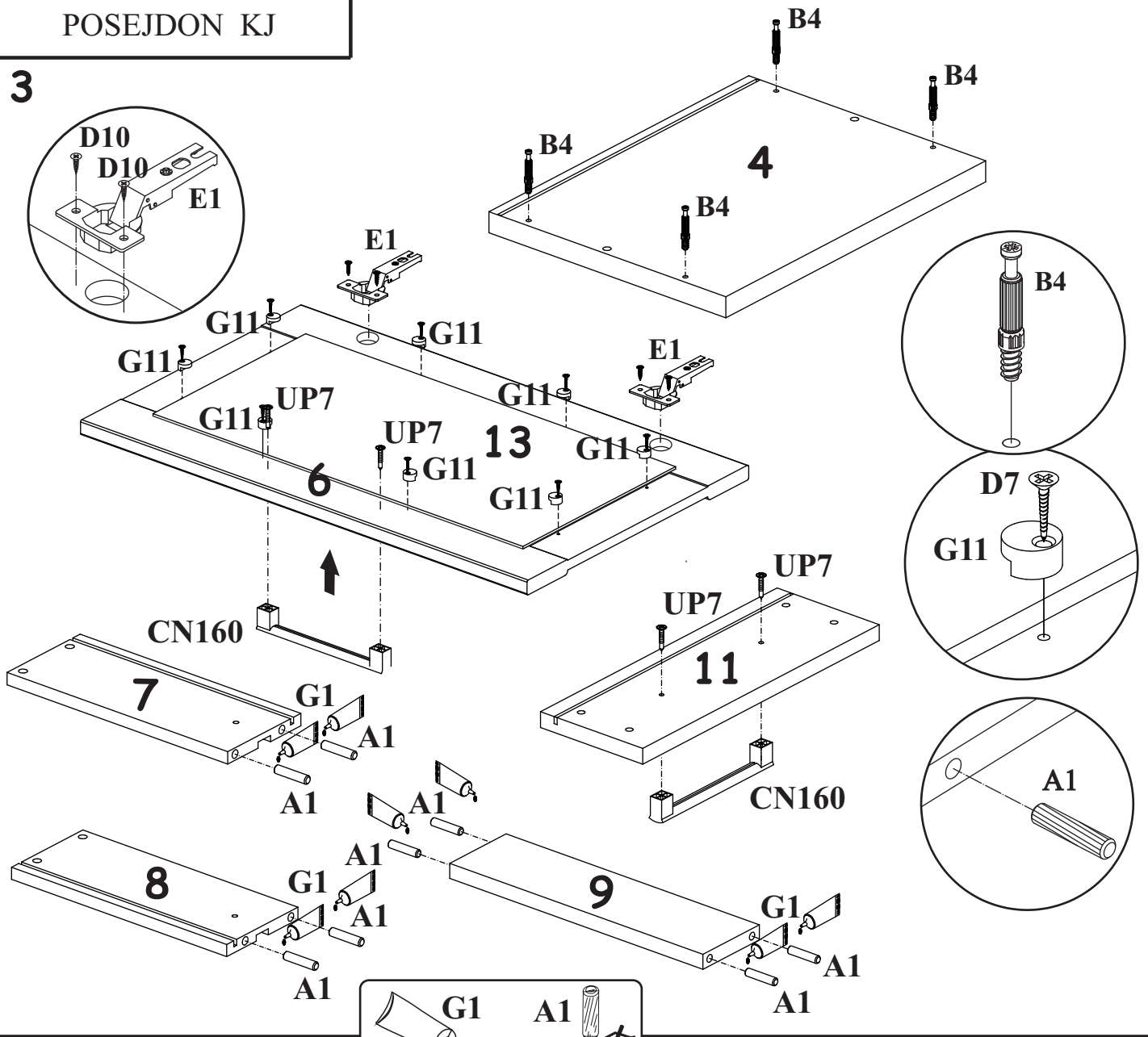
A1 X12 Ø8x36	B5 X8 Ø15x12	B4 X8	G5 X8	E1 X2 H=0	E2 X2 H=0
G7 X4	UP7 X12 UPØ3,5x28	B3 X4 Ø1,4x25	S1 X6	G2 X1	ST5 X4
D19 X4 ESØ6x9	D18 X2 M4x9	H6 X1 L-250mm.	D10 X4 USØ3,5x13	G11 X8	D7 X8 USØ3x16
G1 X1	CN 160 X2				



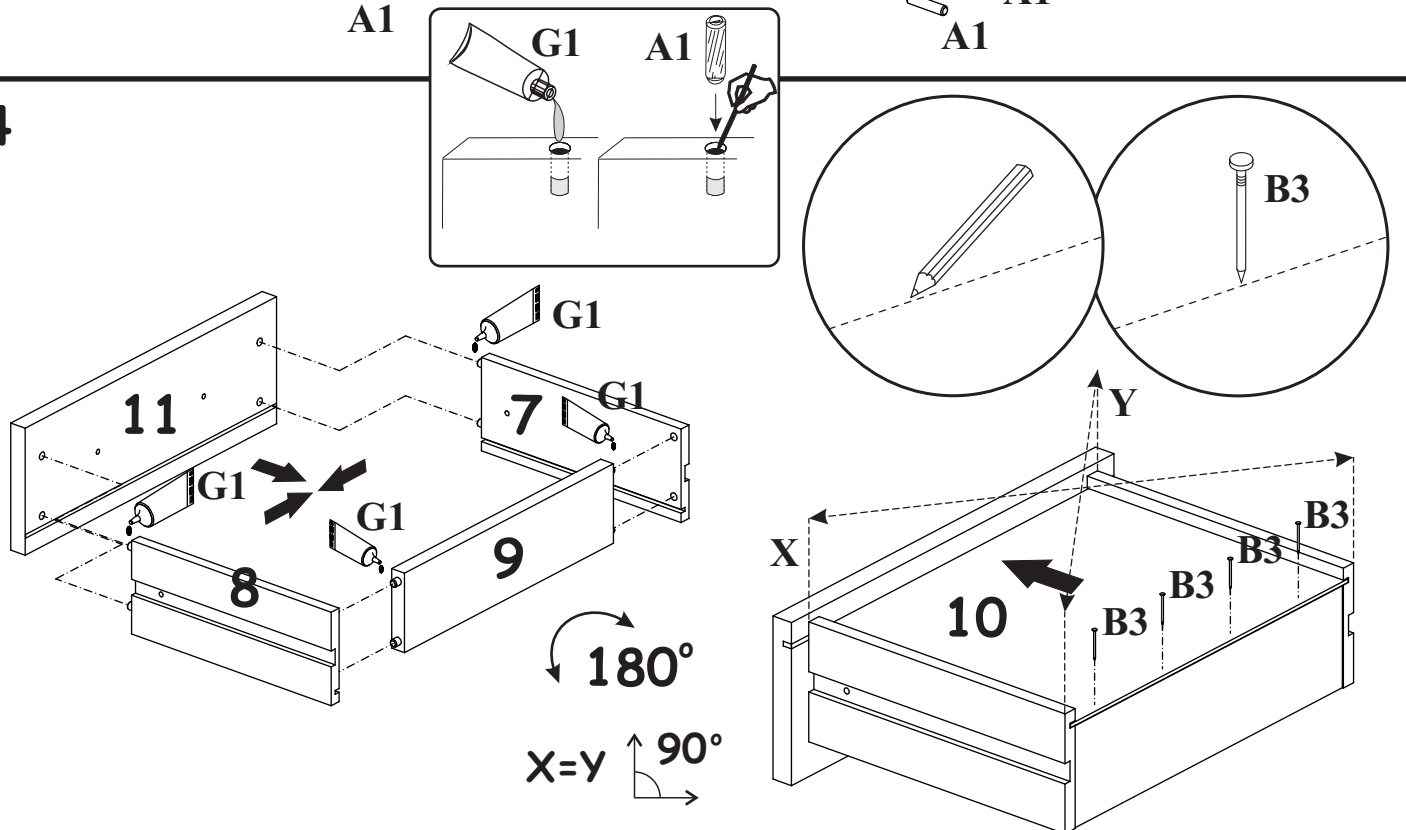
POSEJDON KJ



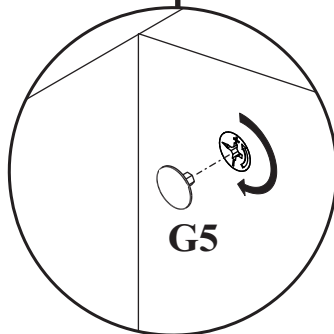
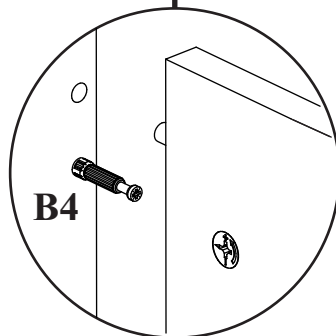
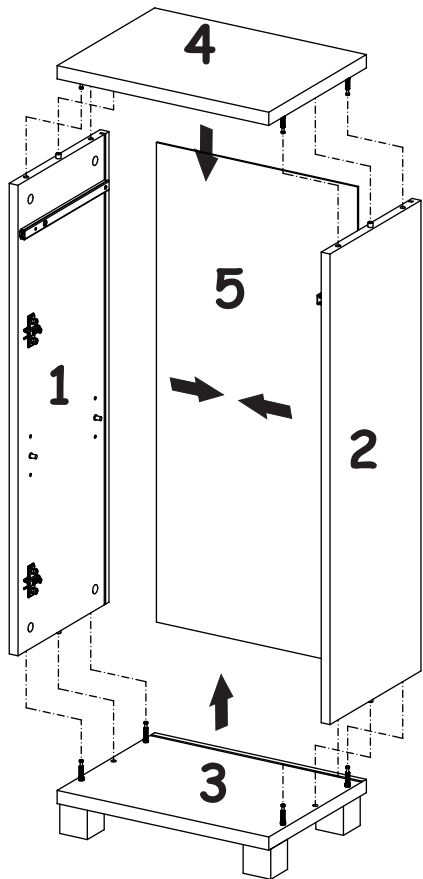
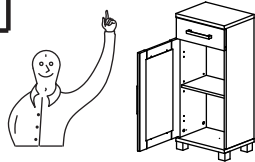
3



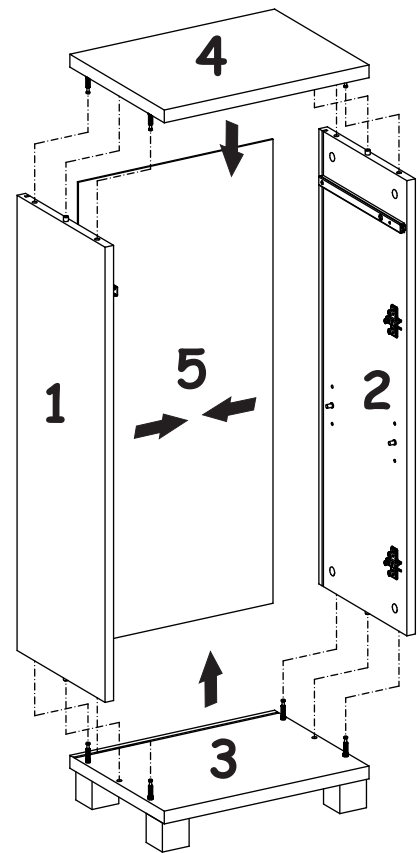
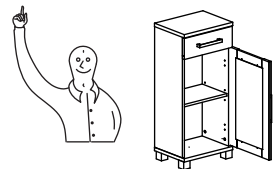
4



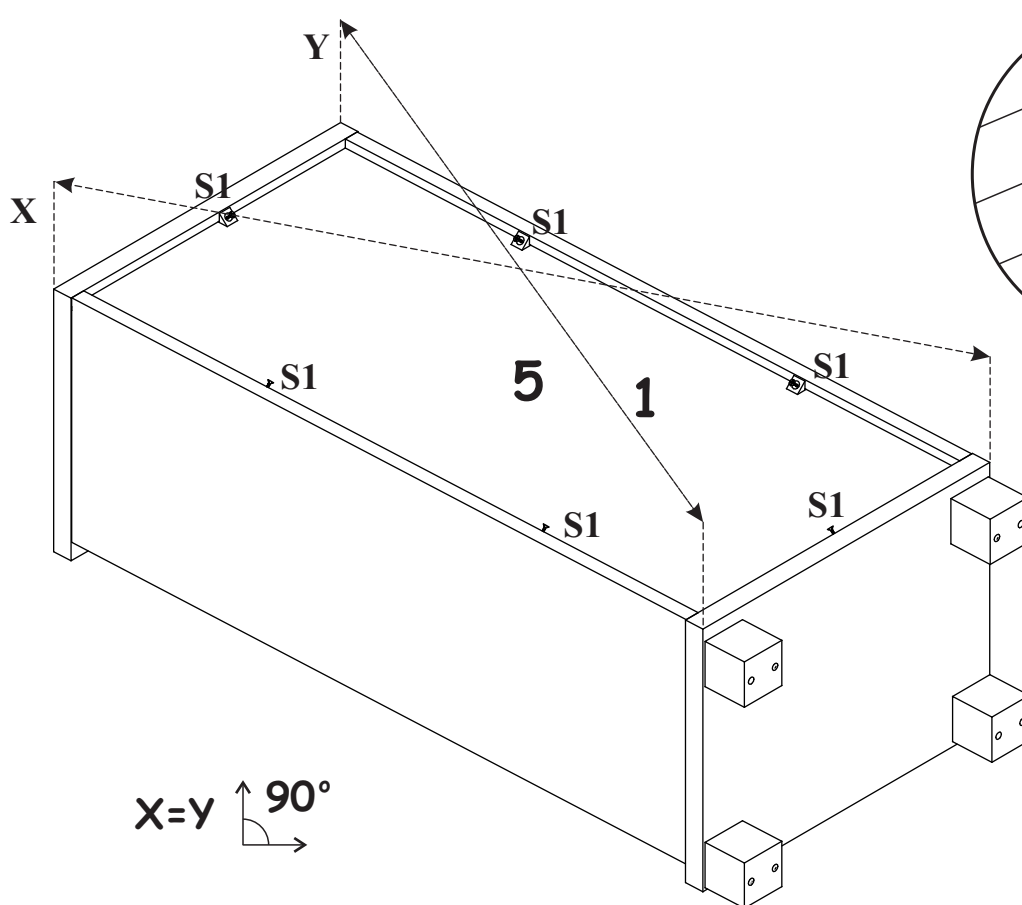
5



5



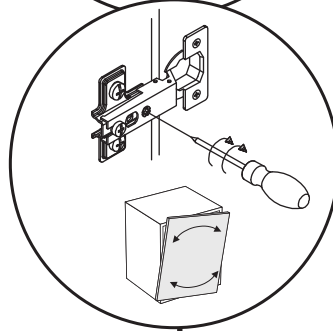
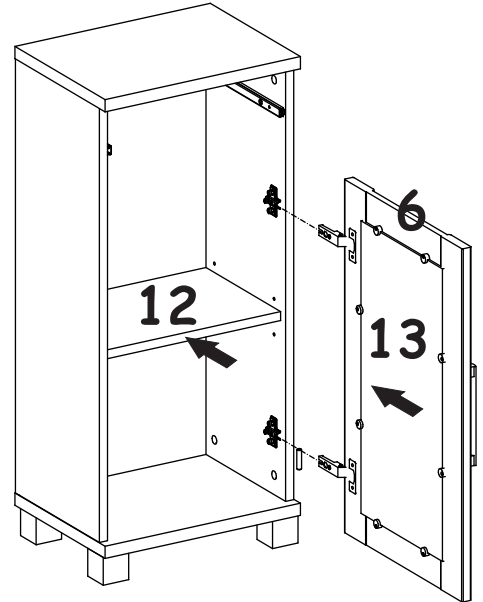
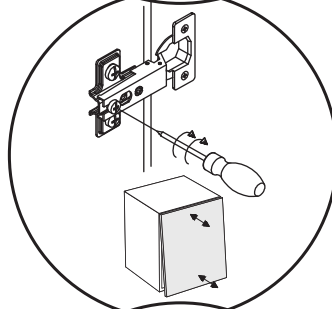
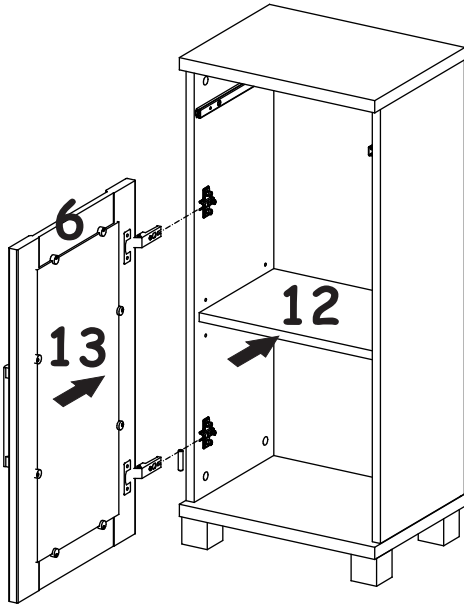
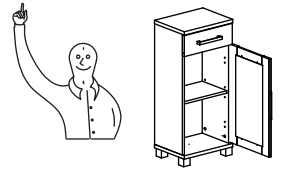
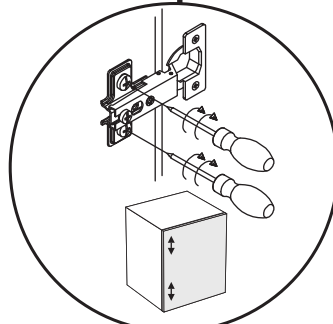
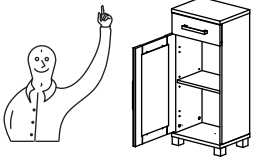
6



$X=Y$ 90°

POSEJDON KJ

7



8

