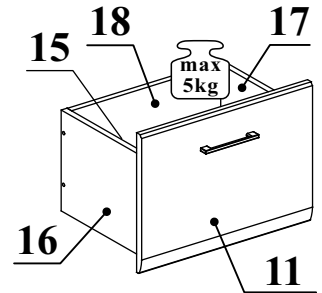
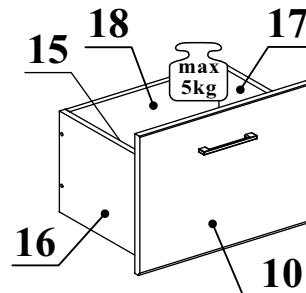
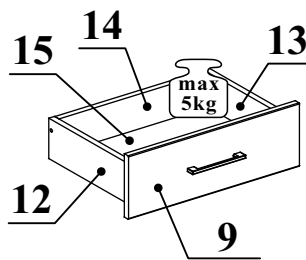
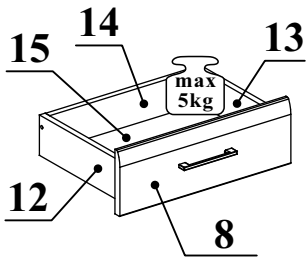
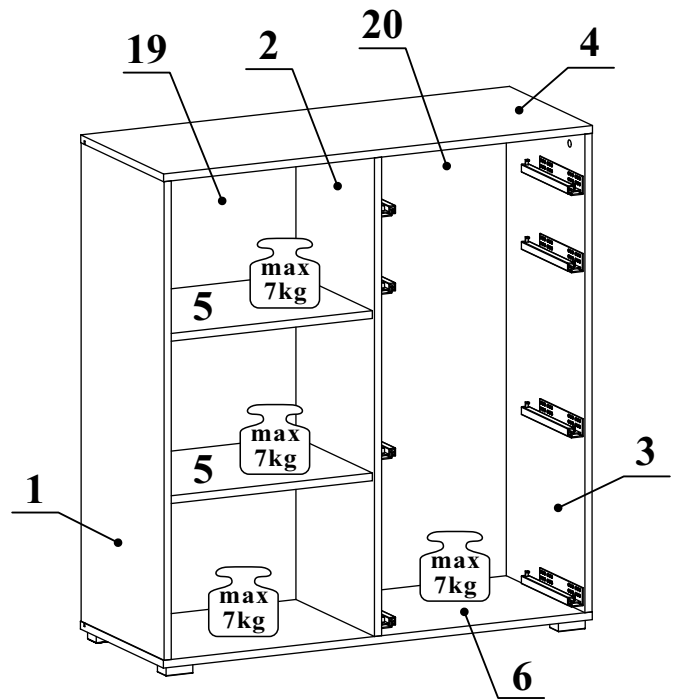
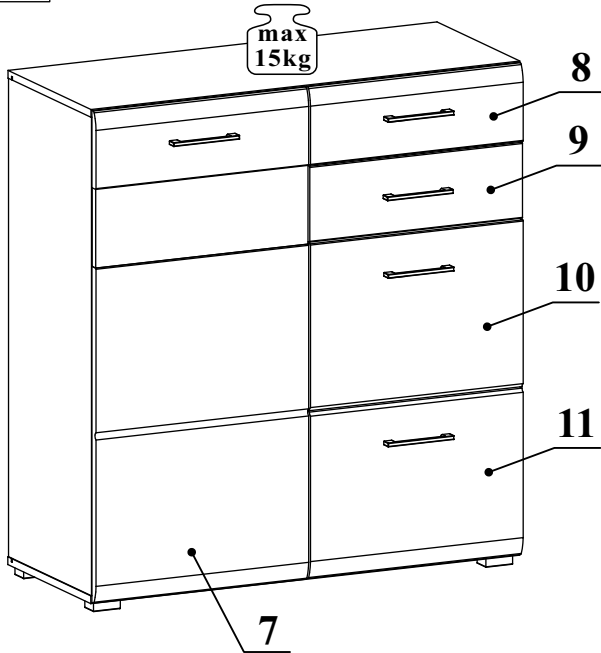
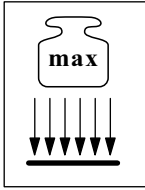
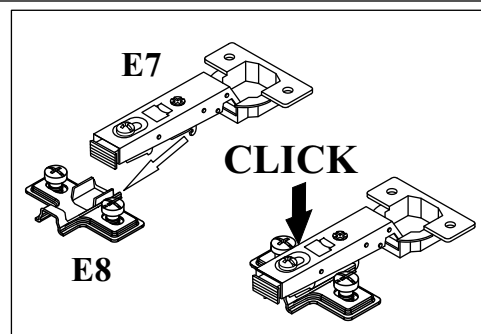
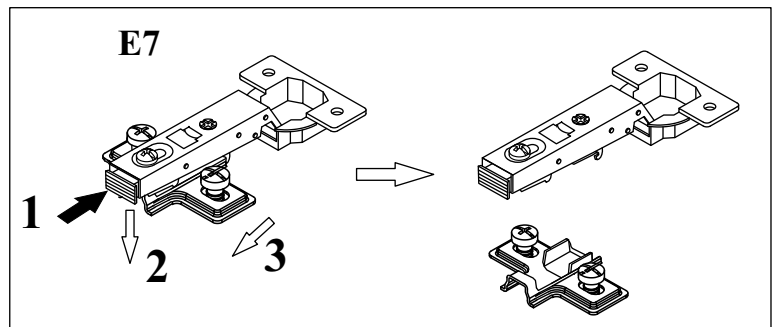


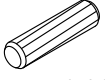
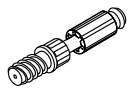

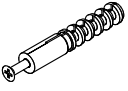




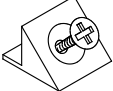


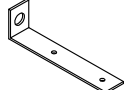
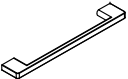
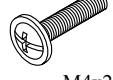
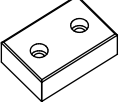


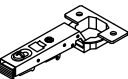
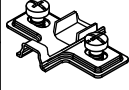
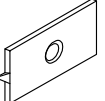
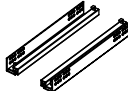
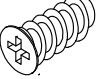
FUNNY TYP 24 1K80_24

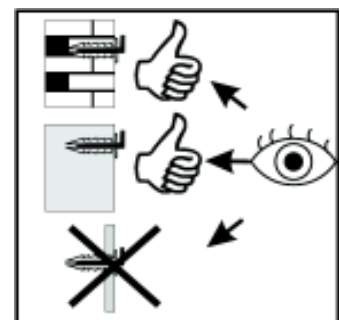
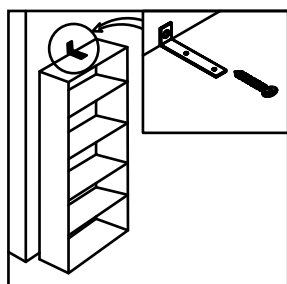
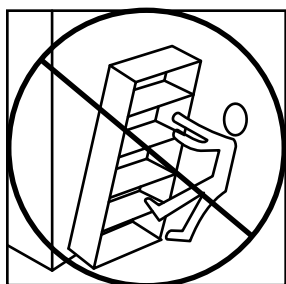
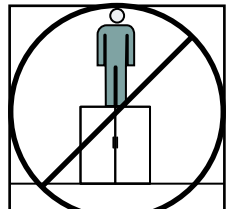
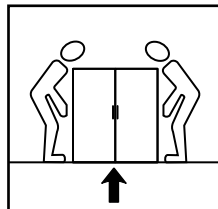
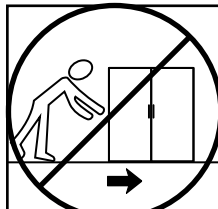
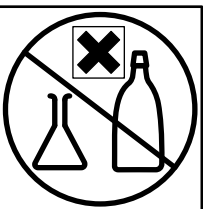
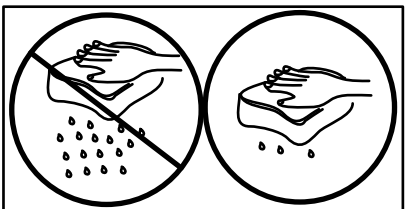
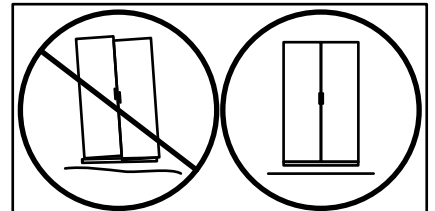
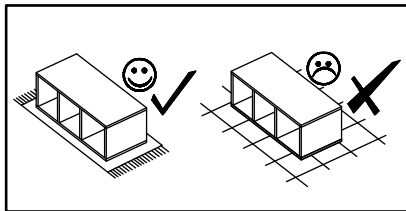
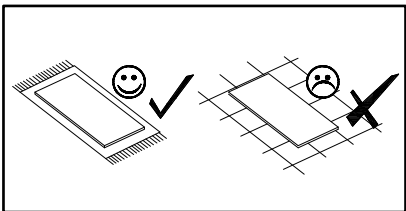
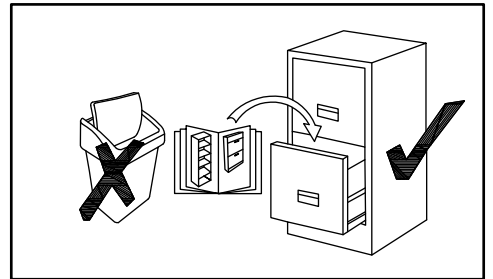
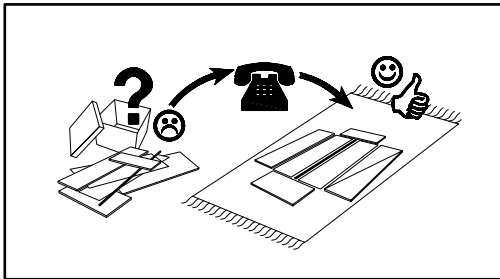
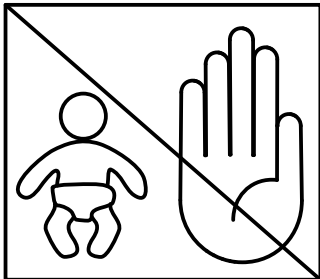
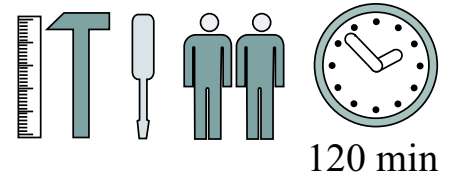
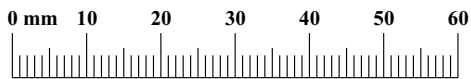


NO	Dim.		Col.-No	Qty
1	991	380	1	1
3	991	380	1	1
2	991	360	1	1
6	962	380	1	1
4	962	380	1	1
7	477	1019	2	1
10	477	346	2	1
11	477	346	2	1
8	477	160	2	1
9	477	157	2	1
12	300	100	2	2
13	300	100	2	2
16	300	250	2	2
17	300	250	2	2
14	416	86	2	2
18	416	236	2	2
19	1002	470	2	1
20	1002	470	2	1
15	427	305	2	4
5	456	350	1	2

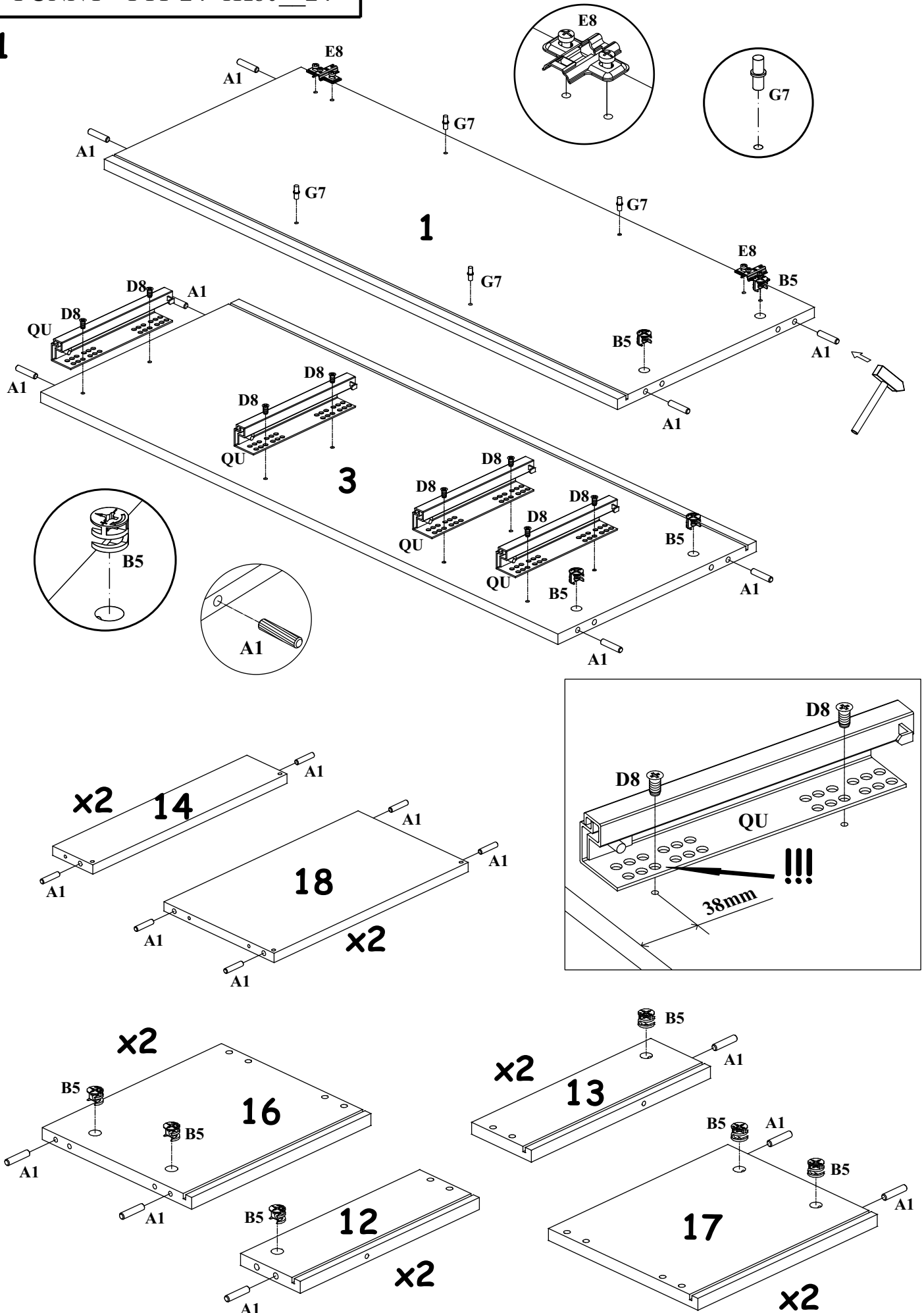


FUNNY TYP 24 1K80__24

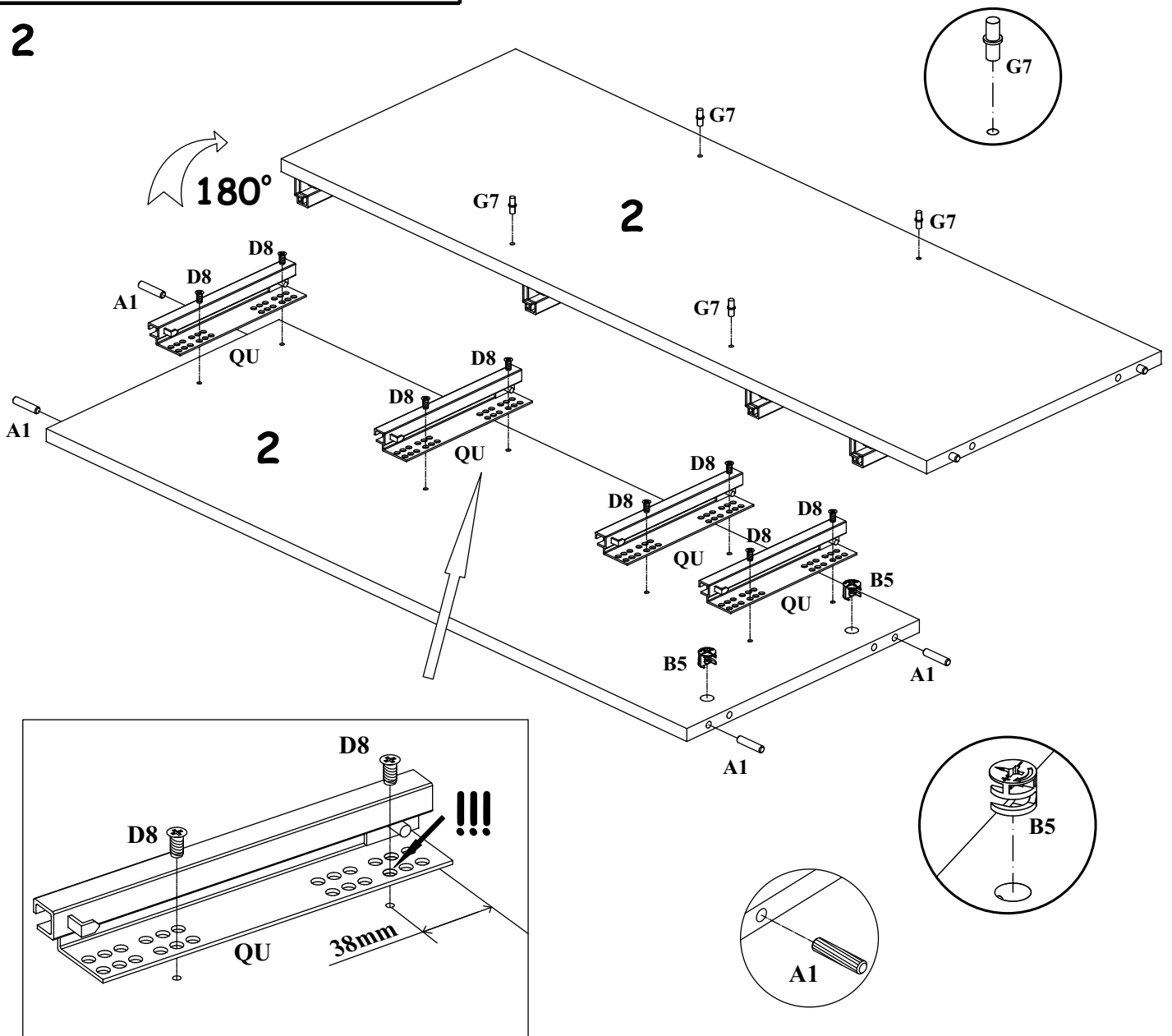
A1 X36  ø8x36	B4 X18 	B5 X18  ø15x12	KR1 X1 	G5 X18 	G2 X1 
B11 X18  Ø7x50	G4 X18 	S1 X20 	D10 X6  USØ3,5x13	G7 X8 	L1 X1 
U11 X5 	D5 X10  M4x25	ST1 X5 	UP13 X22  UPØ3x16	UP11 X10  UPØ4x20	
E7 X2 	E8 X2 	G16 X6 	QU X4  L-300mm	D8 X16  ESØ5x13	



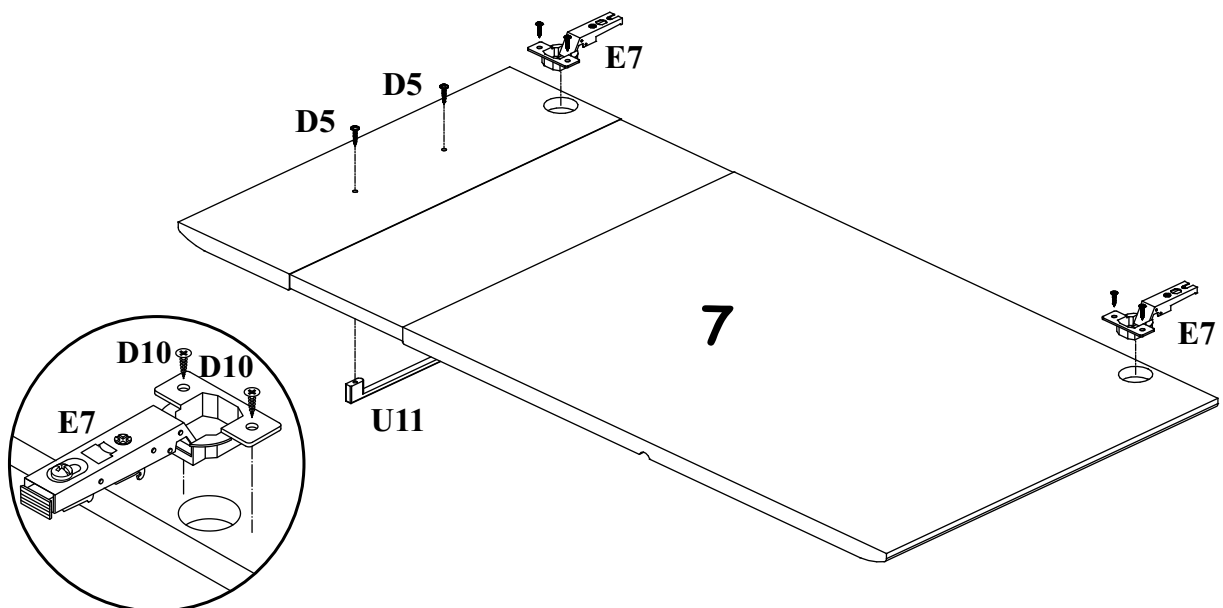
1



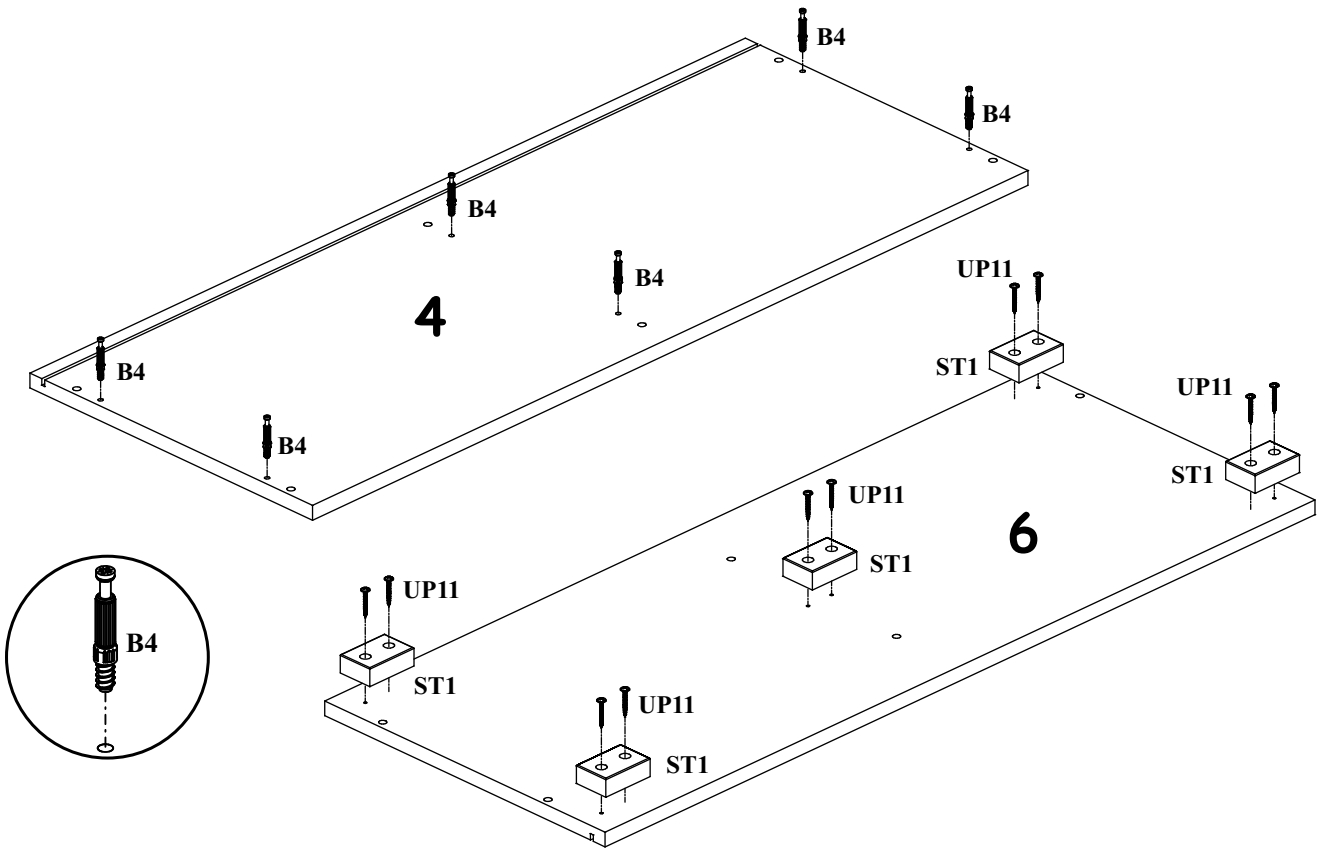
2



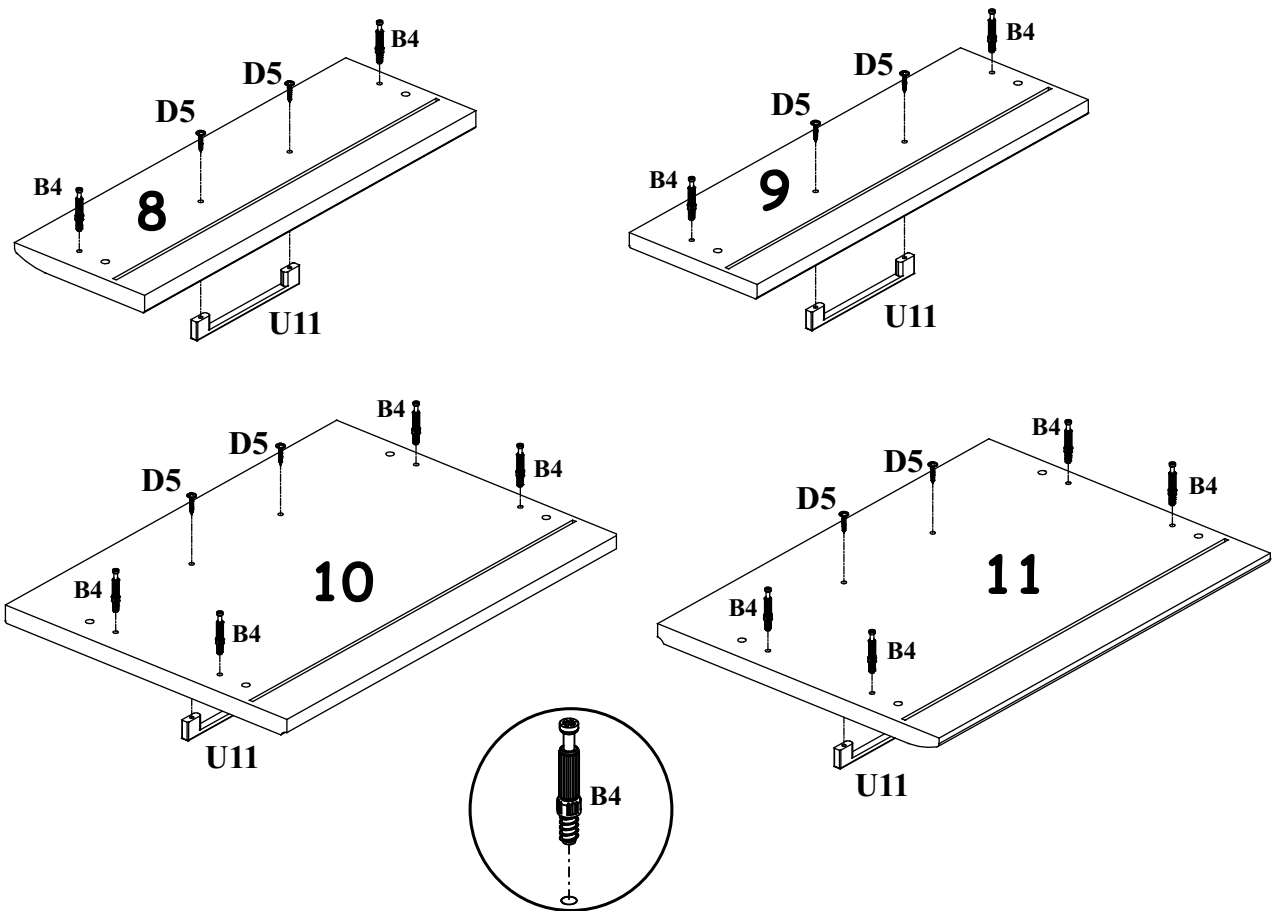
3



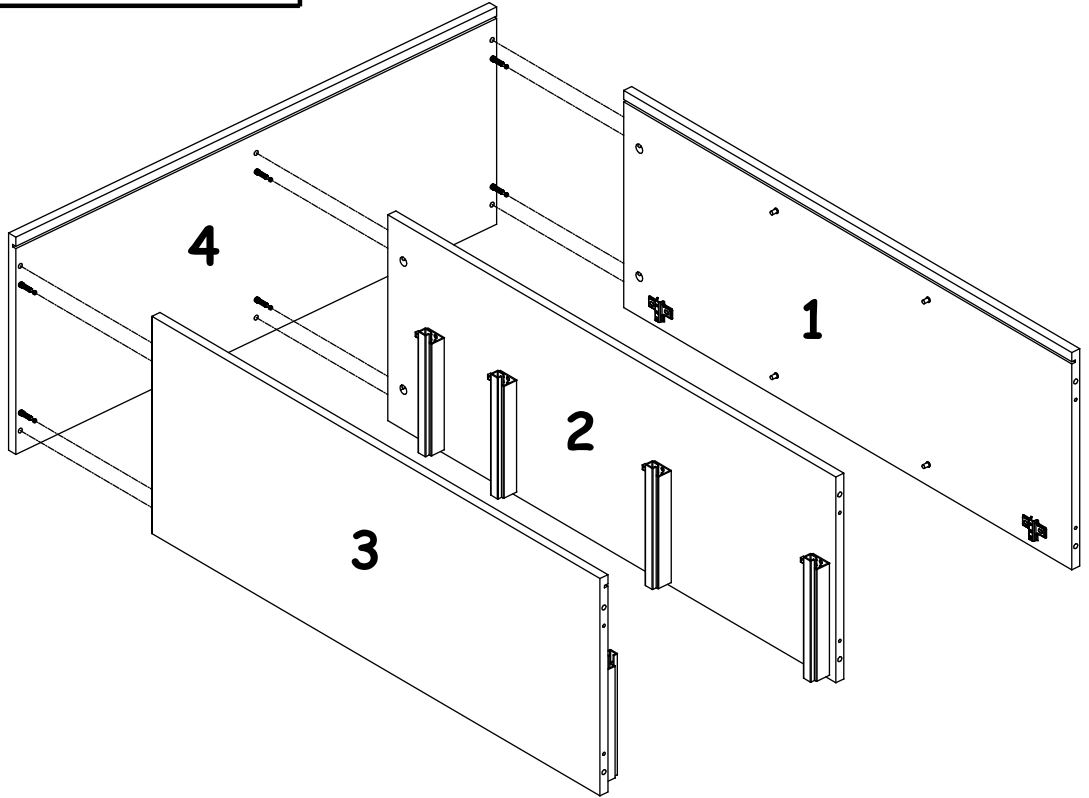
4



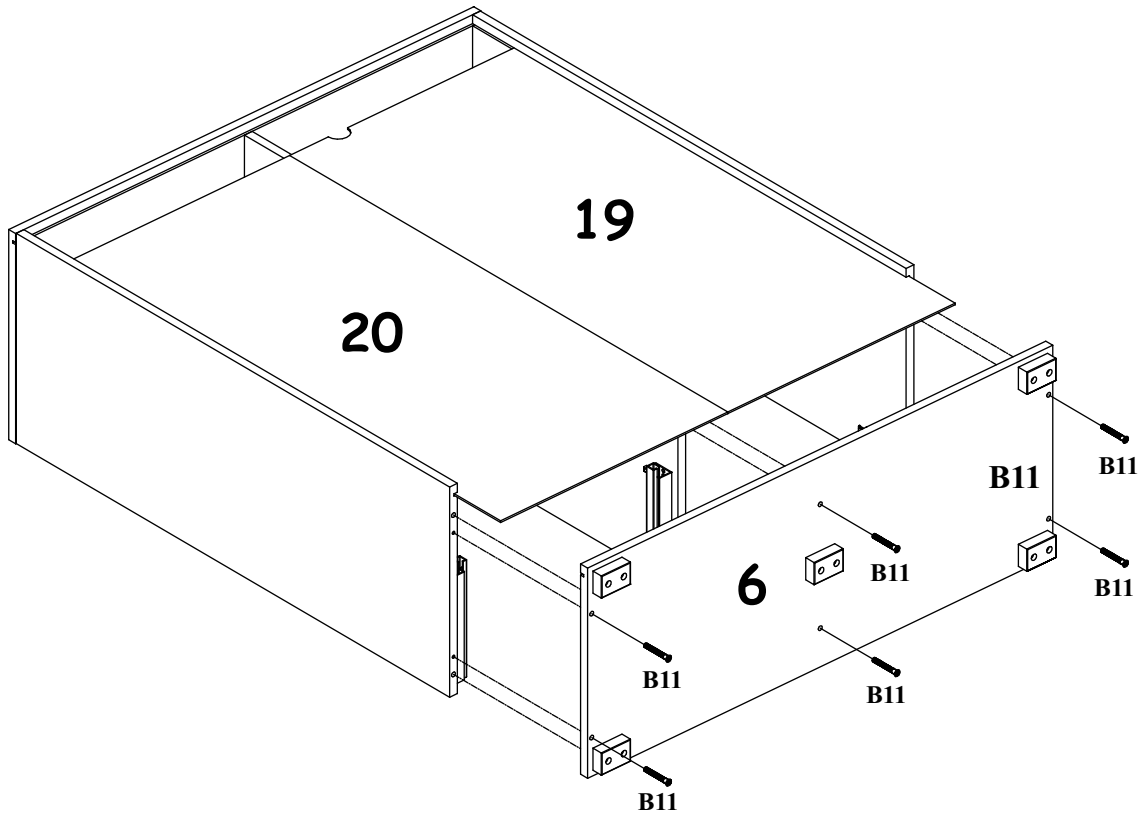
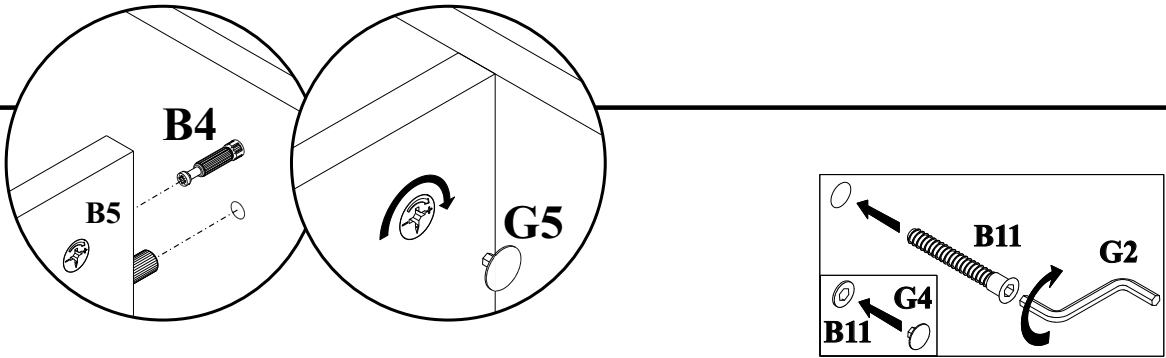
5



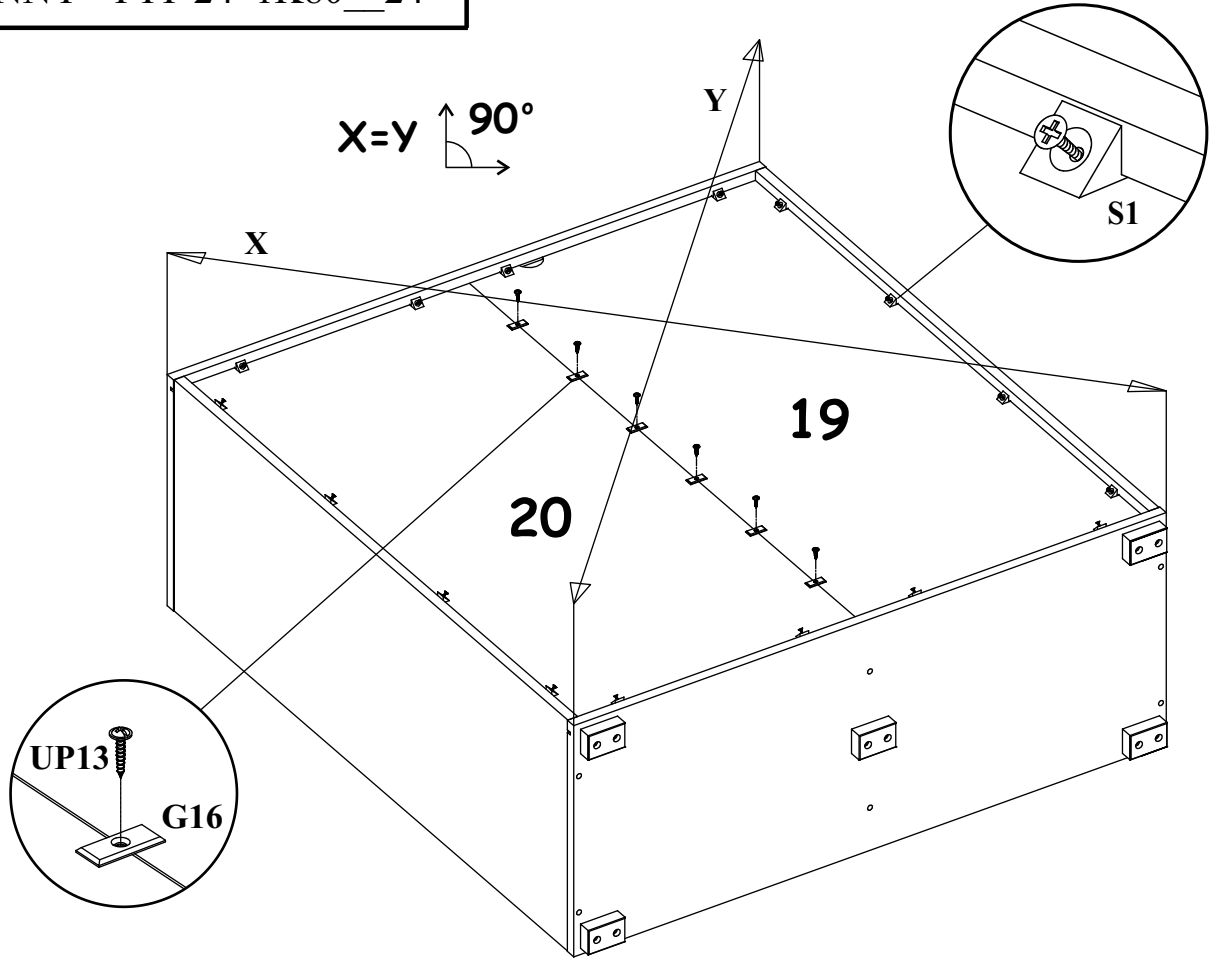
6



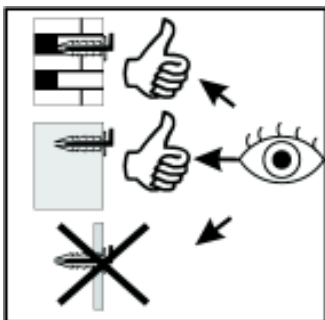
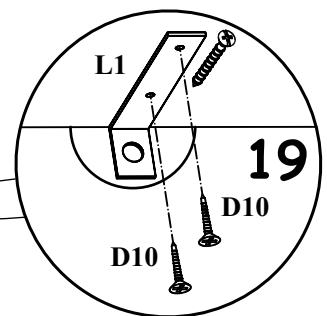
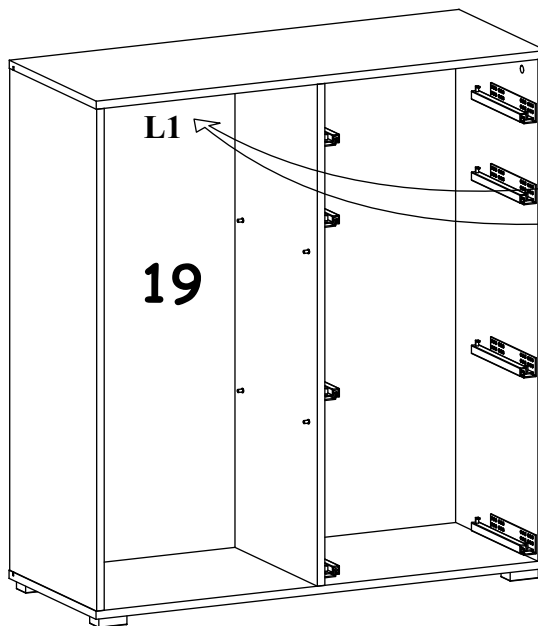
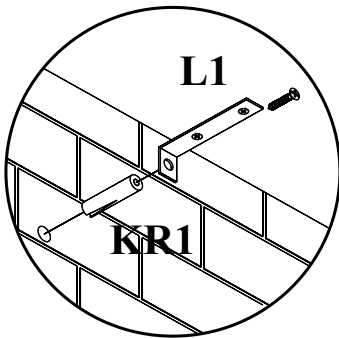
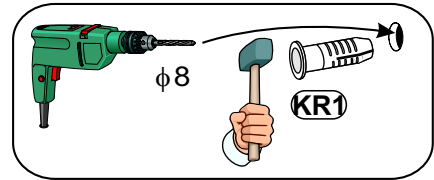
7



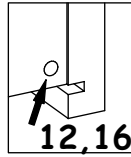
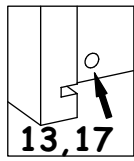
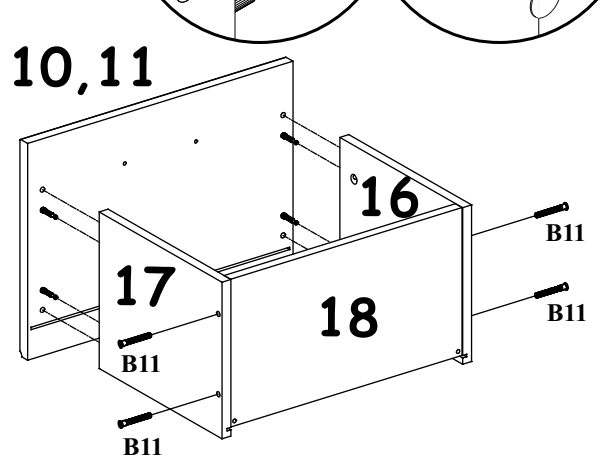
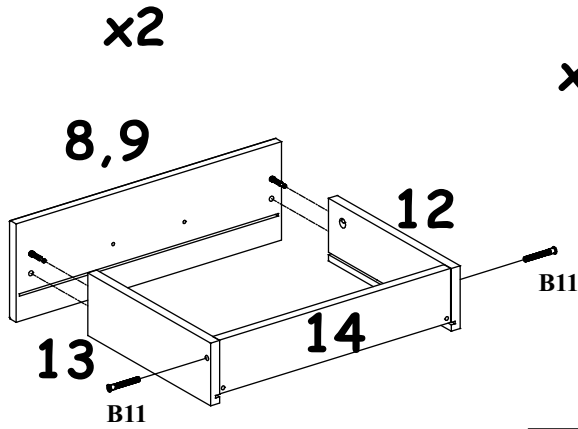
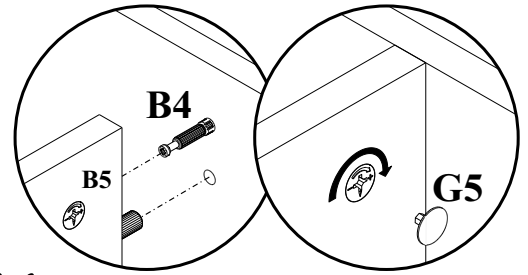
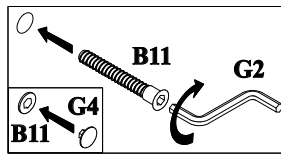
8



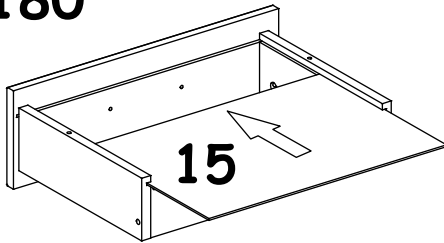
9



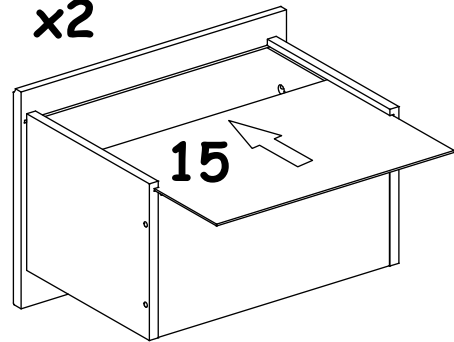
10



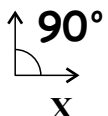
x2



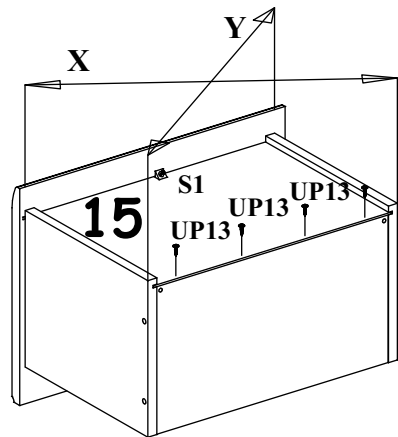
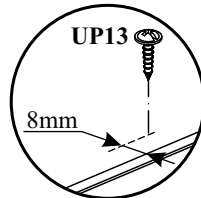
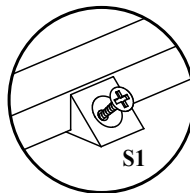
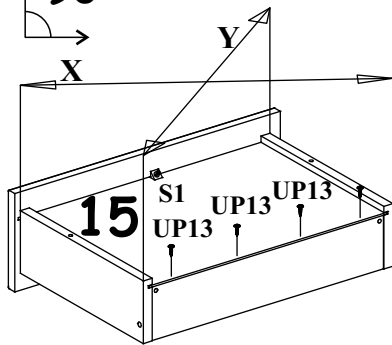
x2



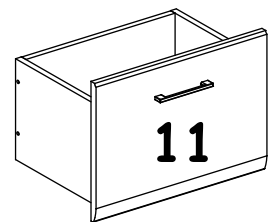
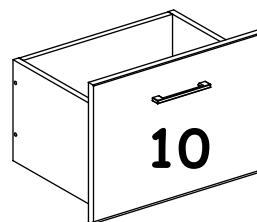
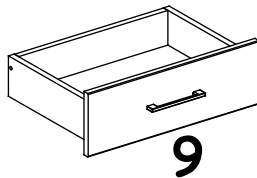
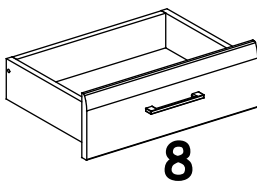
X=Y



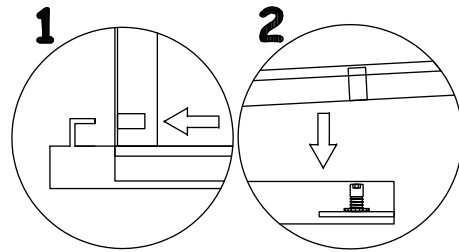
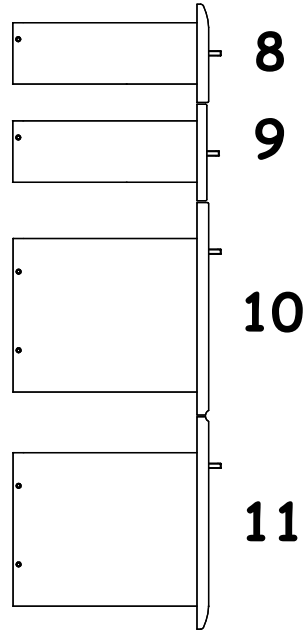
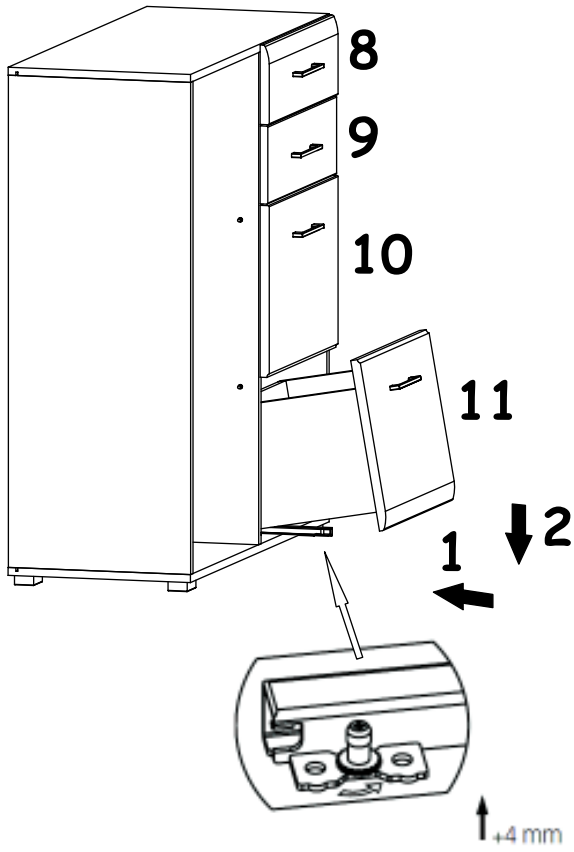
x2



x2



11



12

