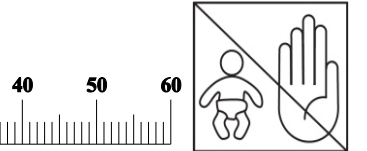
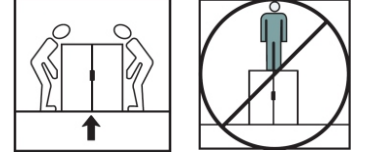
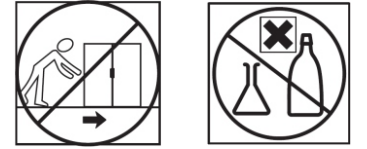
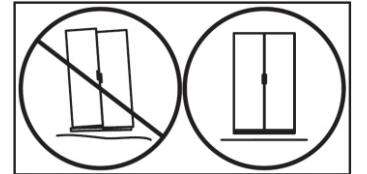
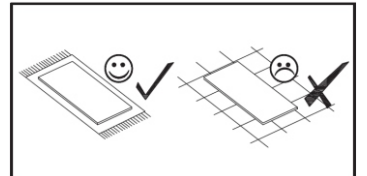
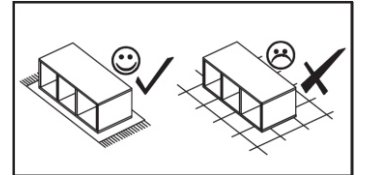
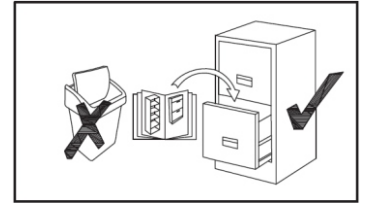
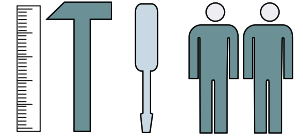
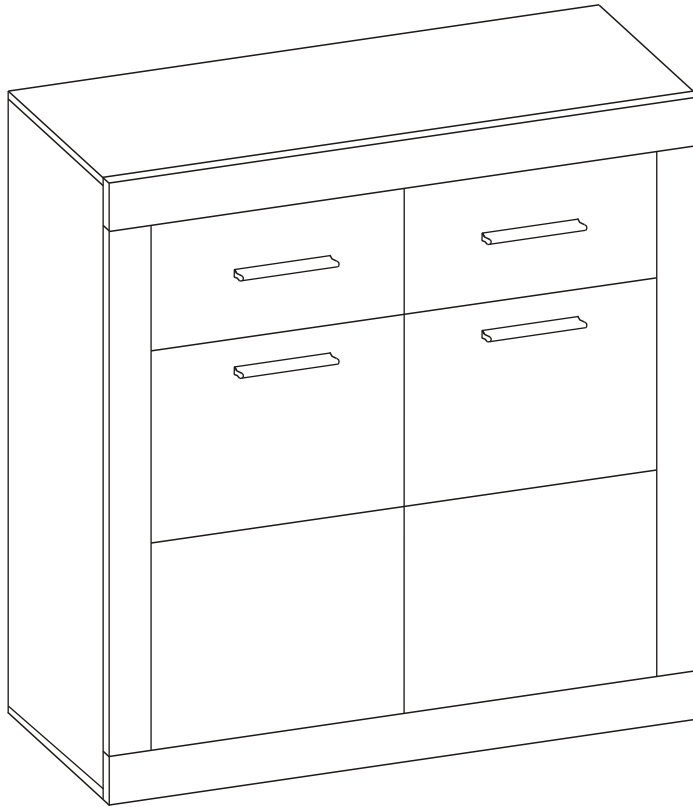


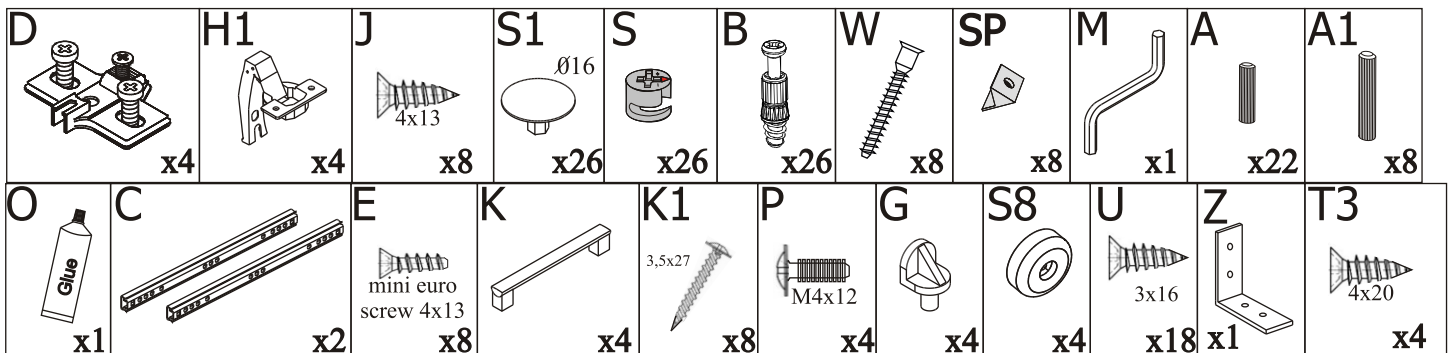
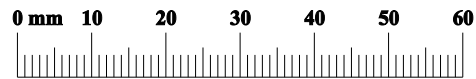


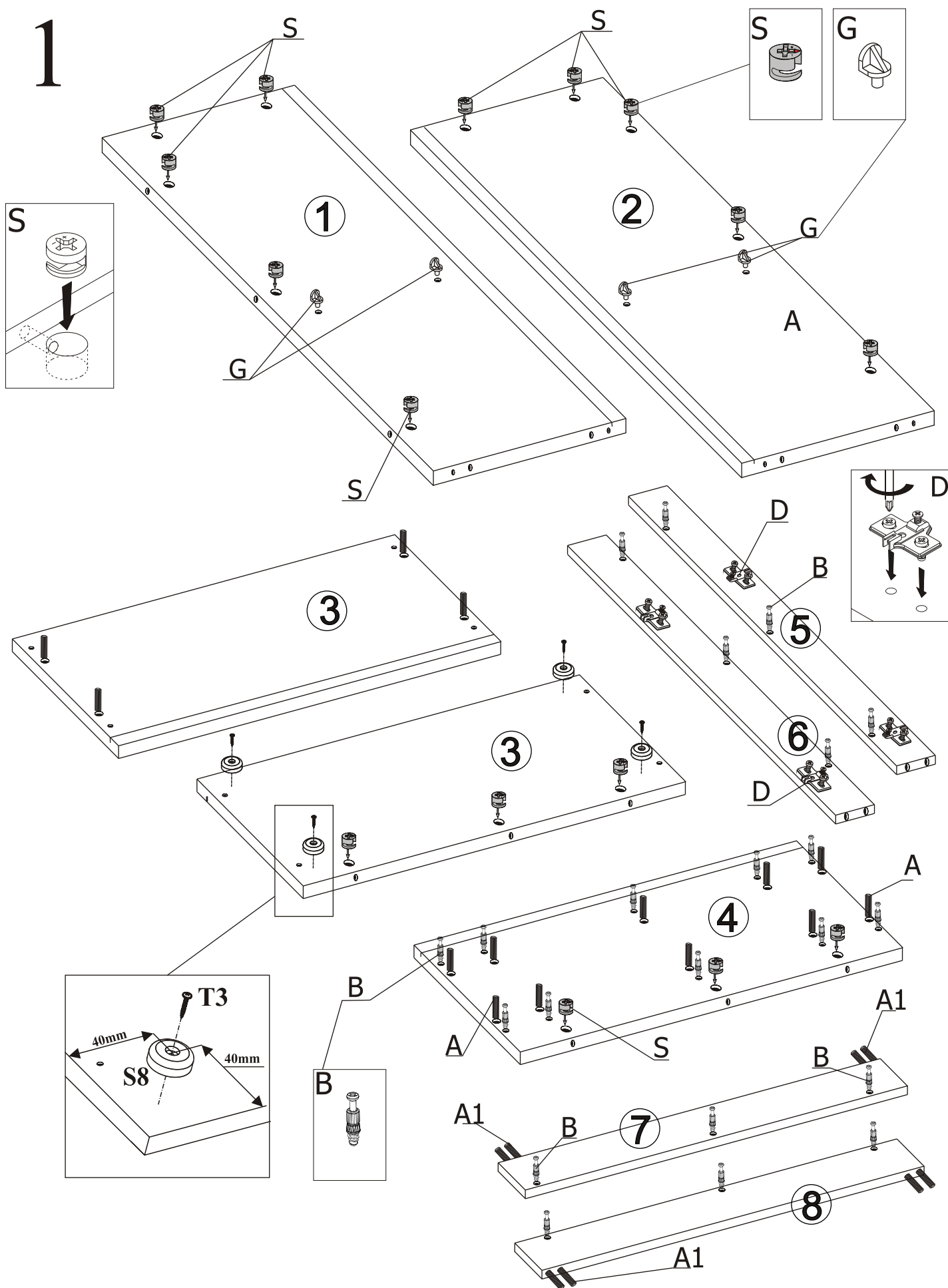
STONE Kommode 1

Nr 1/6

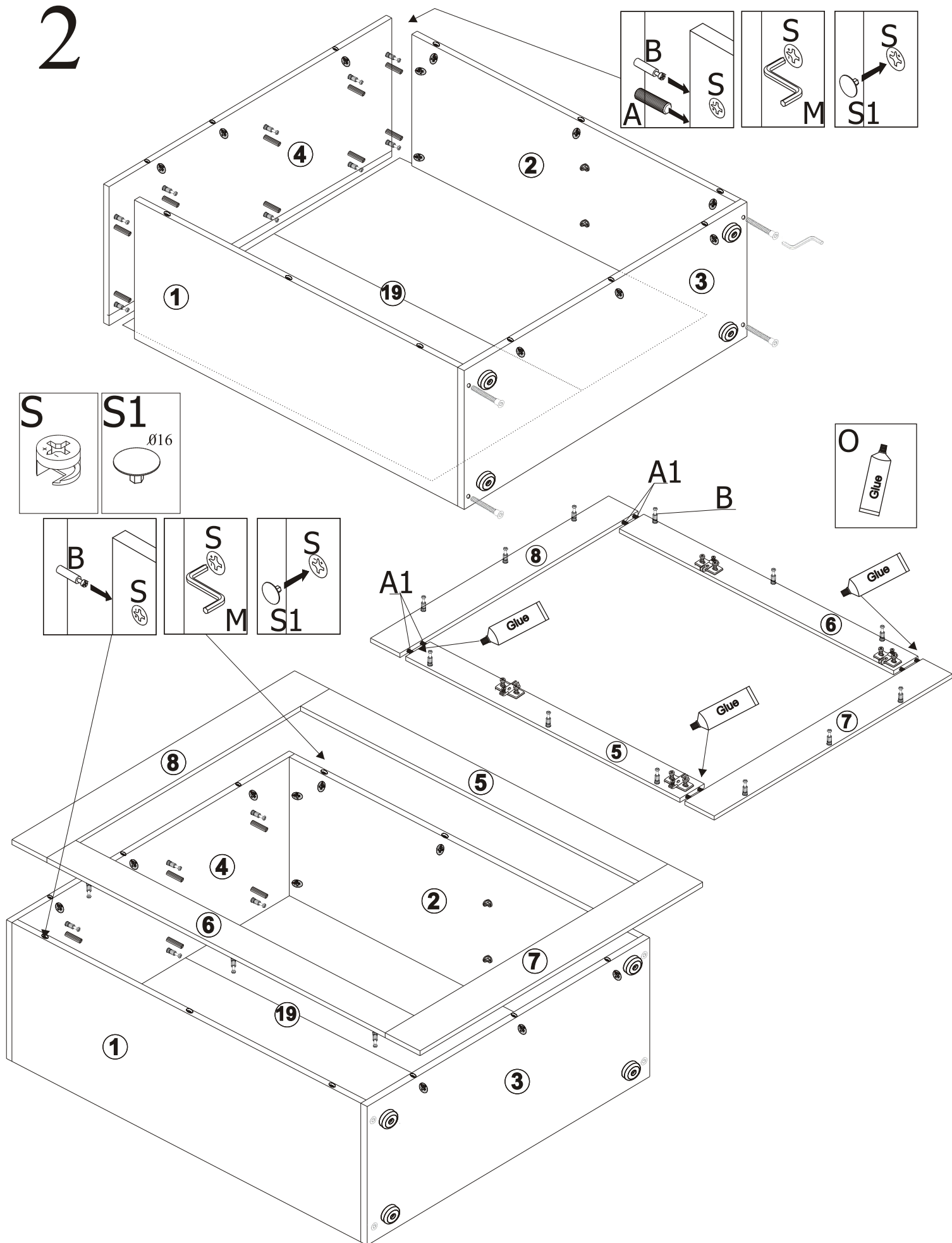


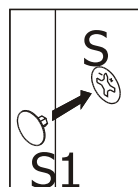
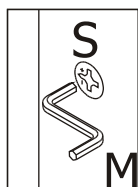
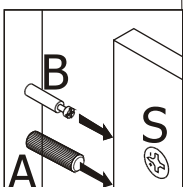
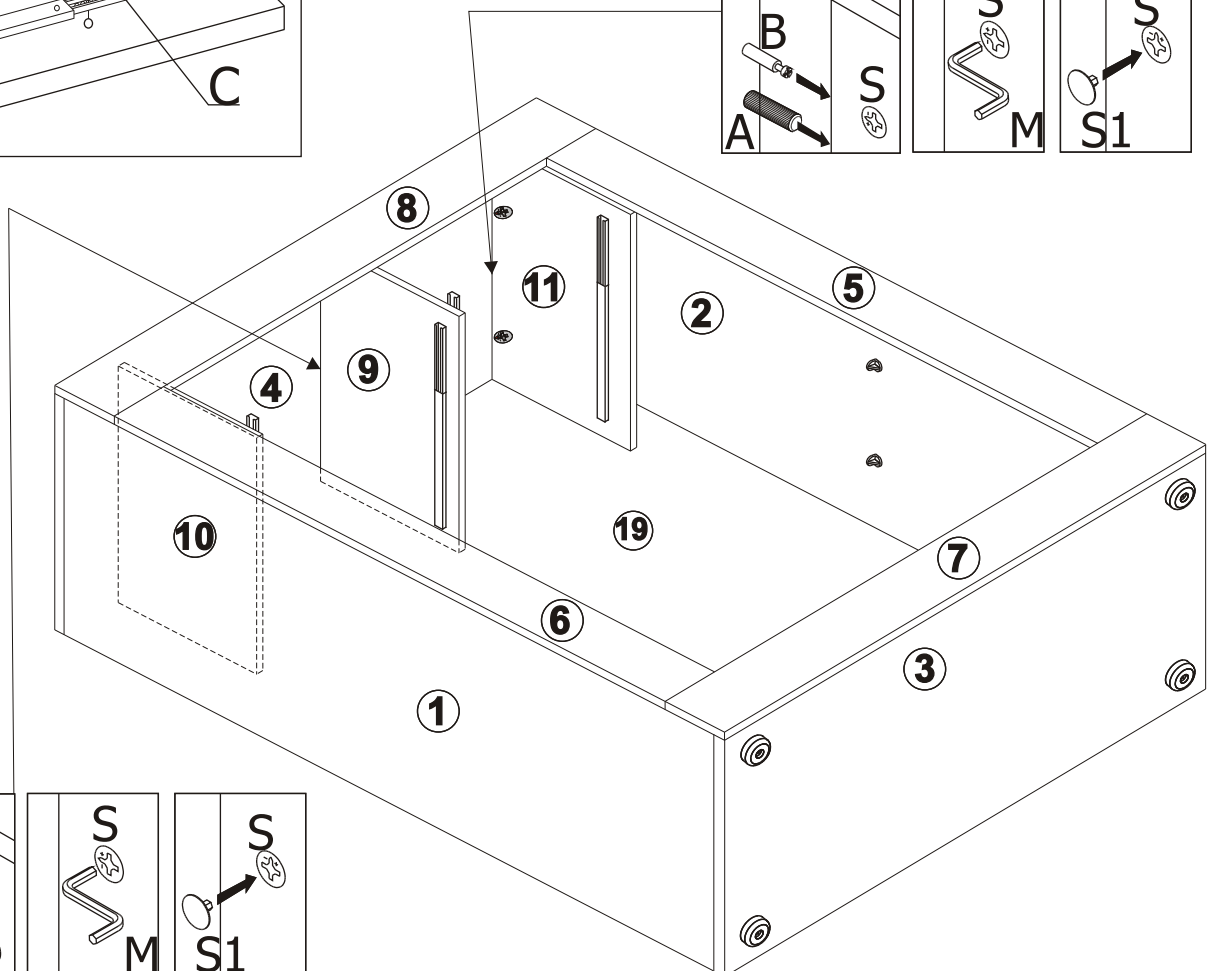
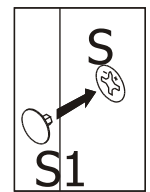
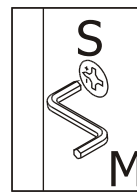
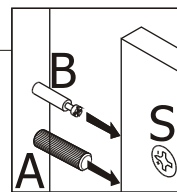
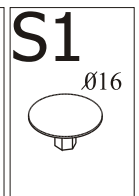
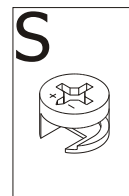
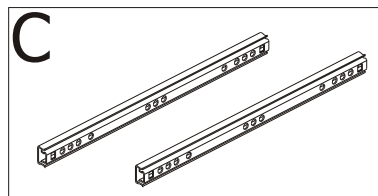
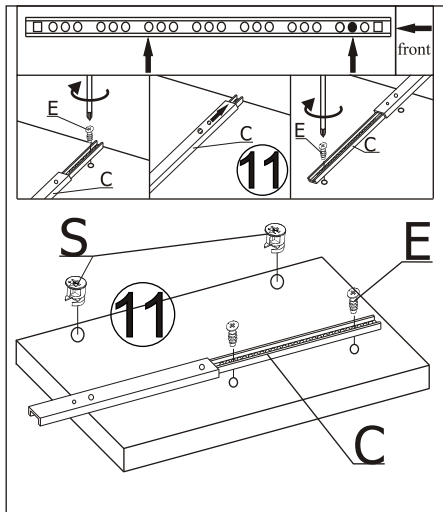
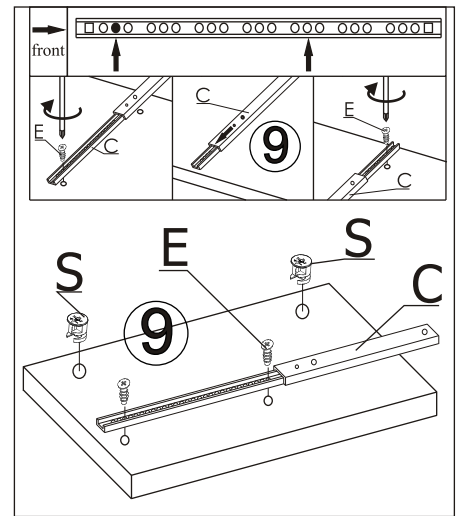
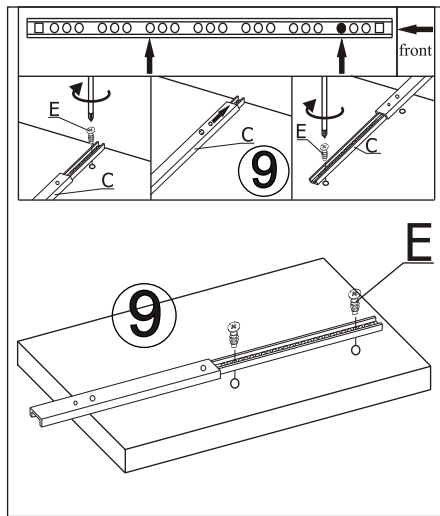
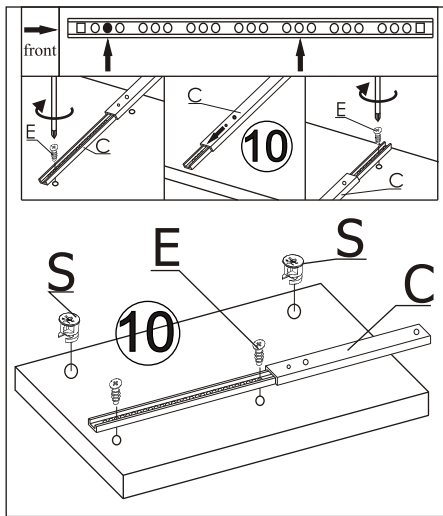
1/1	1	EL-STO-KOM-1-BOK-L-BE	16x350x848	x1
	2	EL-STO-KOM-1-BOK-P-BE	16x350x848	x1
	13	EL-STO-KOM-1-BOK-SZ-L-BE	16x310x110	x2
	14	EL-STO-KOM-1-BOK-SZ-P-BE	16x310x110	x2
	4	EL-STO-KOM-1-DACH-G-BE	16x350x820	x1
	3	EL-STO-KOM-1-DACH-D-BE	16x350x820	x1
	16	EL-STO-KOM-1-DNO-SZ-HDF-BI	3x307x317	x2
	12	EL-STO-KOM-1-FRO-SZ-BI_POŁ	16x346x150	x2
	7	EL-STO-KOM-1-LIST-D-BE	16x821x60	x1
	8	EL-STO-KOM-1-LIST-G-BE	16x821x60	x1
	6	EL-STO-KOM-1-LIST-L-BE	16x60x759	x1
	5	EL-STO-KOM-1-LIST-P-BE	16x60x759	x1
	19	EL-STO-KOM-1-PLECY-HDF-BI	3x864x402	x2
	20	EL-STO-KOM-1-PÓŁKA-BE	16x331x786	x1
	10	EL-STO-KOM-1-PRZE-L-BE	16x331x200	x1
	11	EL-STO-KOM-1-PRZE-P-BE	16x331x200	x1
	9	EL-STO-KOM-1-PRZE-S-BE	16x331x200	x1
15	EL-STO-KOM-1-TYL-SZ-BE	16x293x94	x2	
18	EL-STO-KOM-1-FRO-L-BI_POŁ	16x346x600	x1	
17	EL-STO-KOM-1-FRO-P-BI_POŁ	16x346x600	x1	





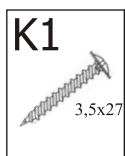
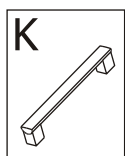
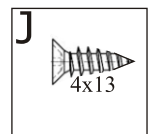
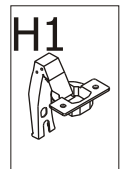
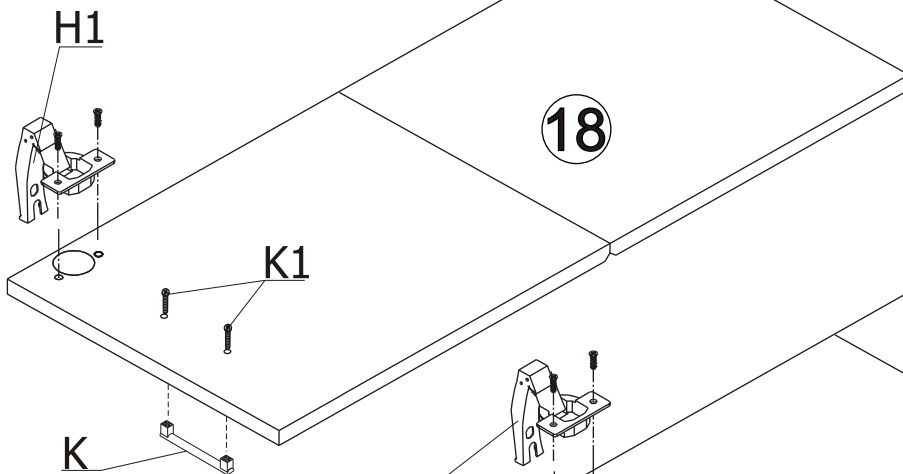
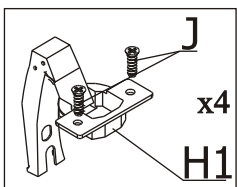
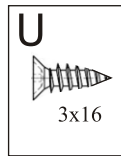
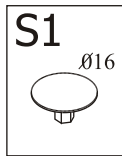
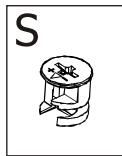
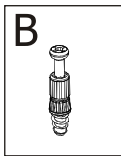
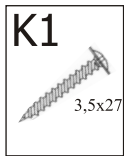
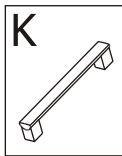
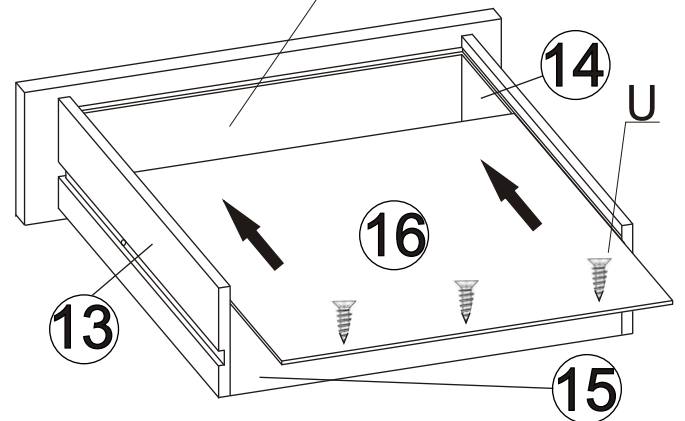
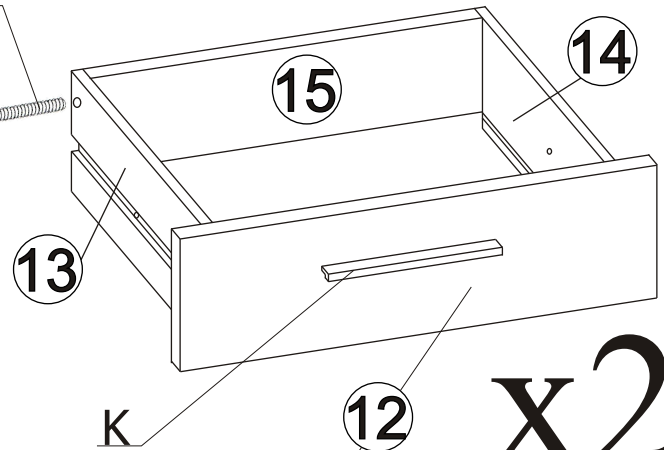
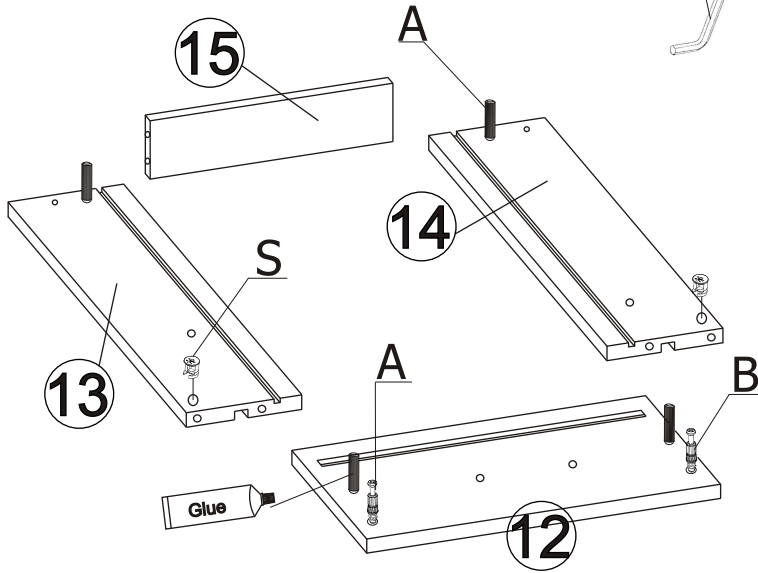
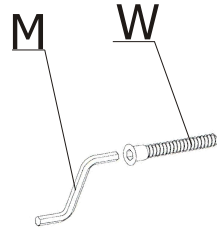
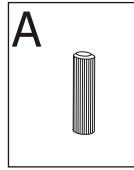
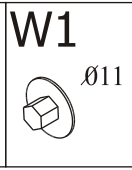
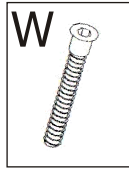
2





STONE Kommode 1

Nr 5/6



H1

K

