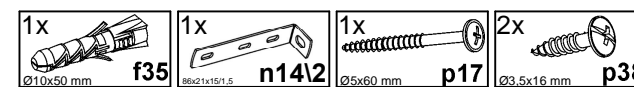
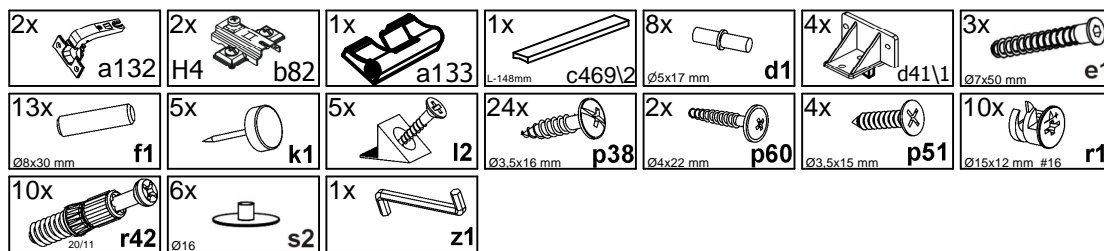
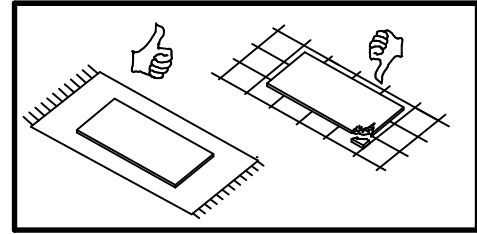


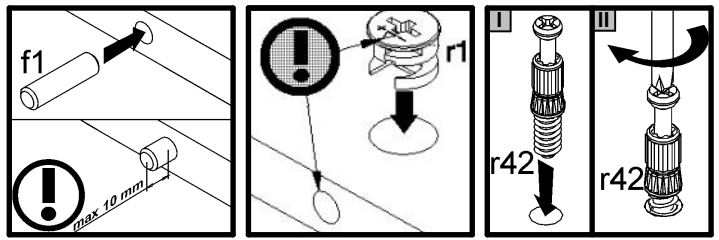
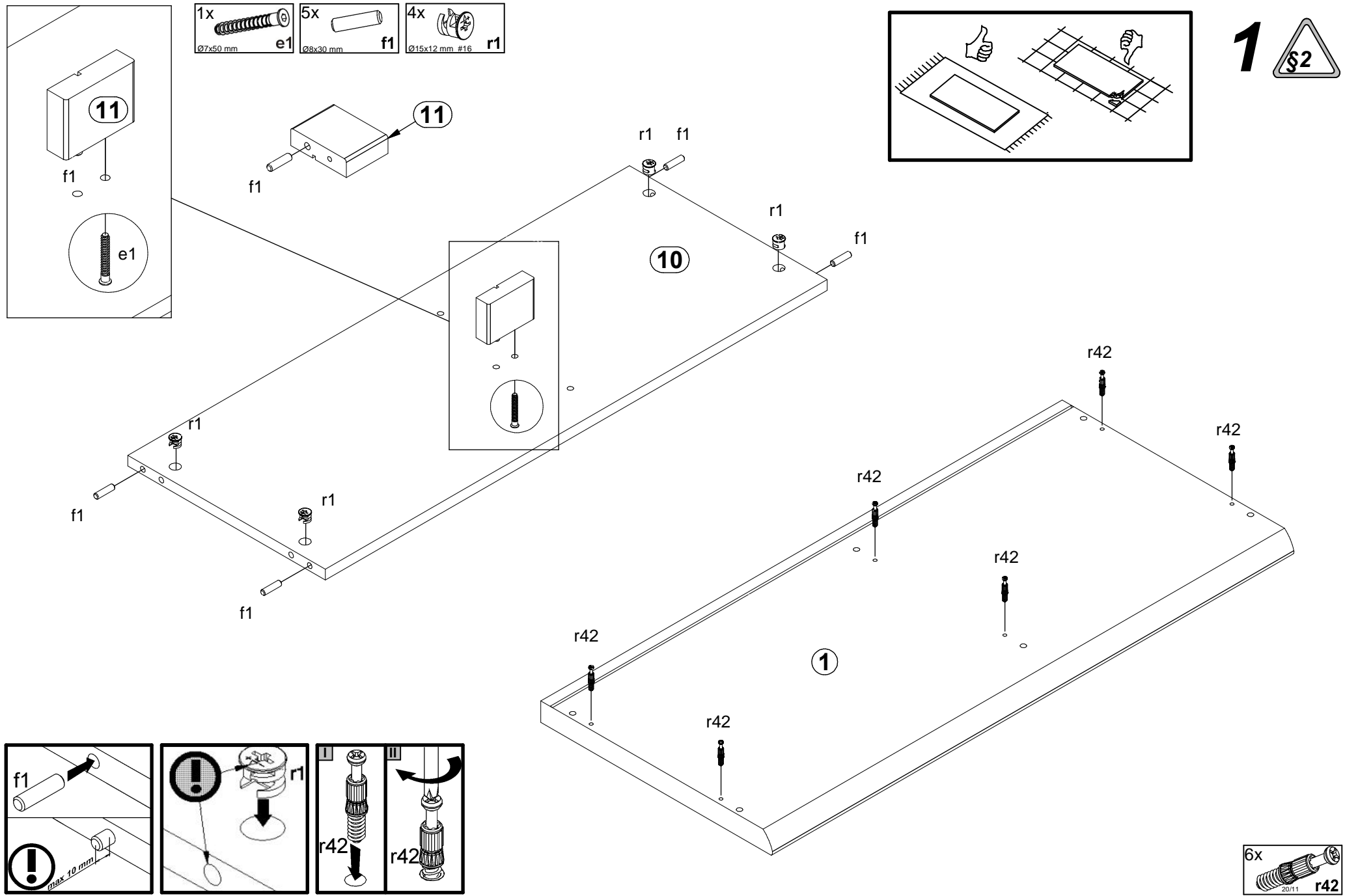
A	B	C1	C2	C3	D
1	M222-2001	900	400	32	1/1
2	M222-3006	375	334	16	1/1
3	M222-3007	473	334	16	1/1
4	M222-5301	890	390	55	1/1
5	M222-9001	352	876	2,5	1/1
6	M238-0001	343	316	16	1/1
7	M238-1001	409	361	16	1/1
8	M238-1002	409	361	16	1/1
9	M238-1003	333	341	16	1/1
10	M238-3001	866	341	16	1/1
11	M238-5001	60	80	22	1/1
12	M238-5002	409,	80	22	1/1
13	M238-5003	409,	80	22	1/1



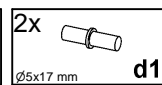
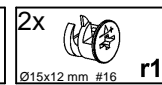
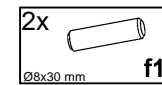
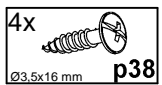
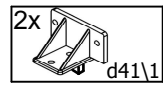
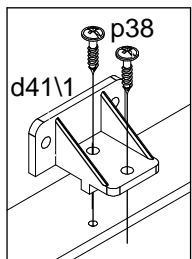
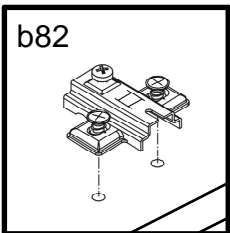
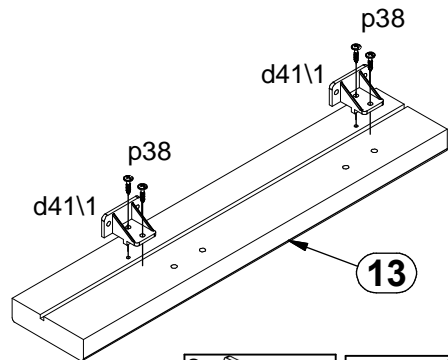
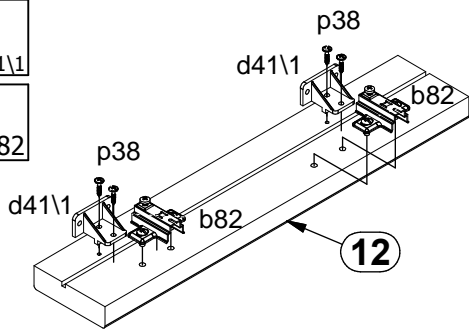
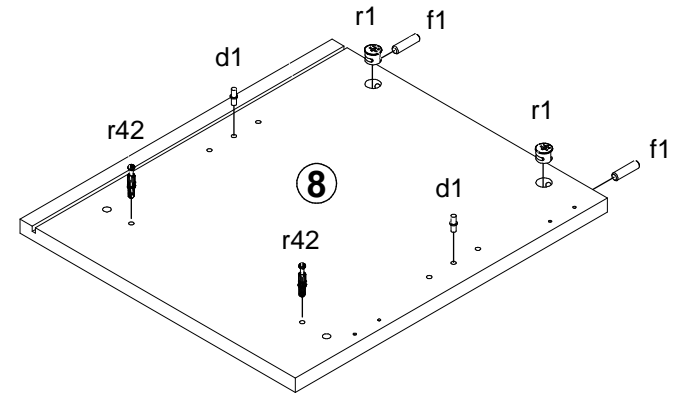
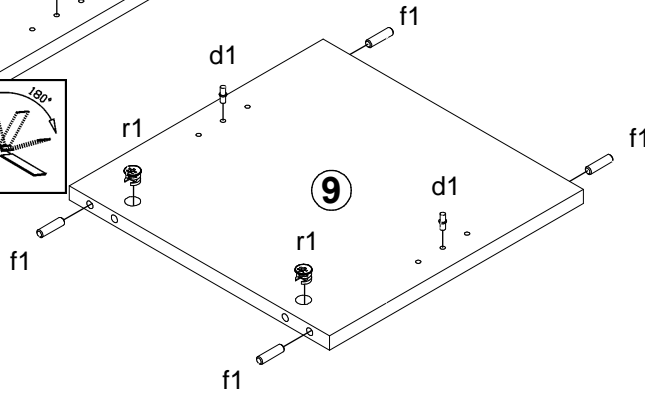
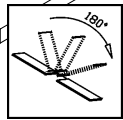
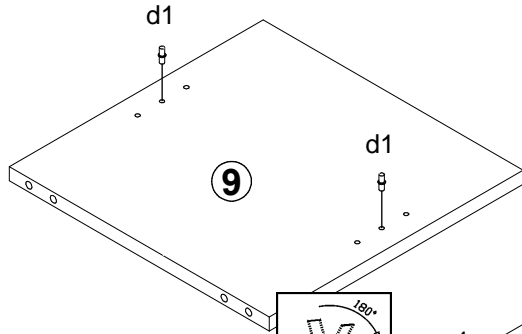
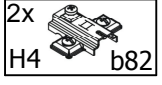
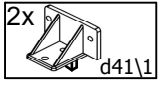
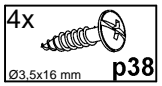
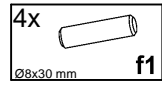
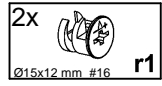
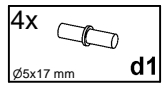
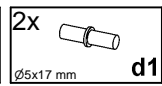
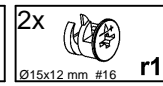
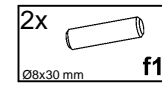
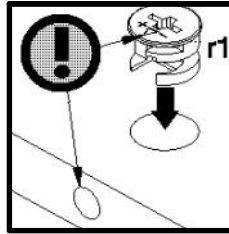
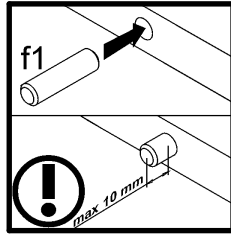
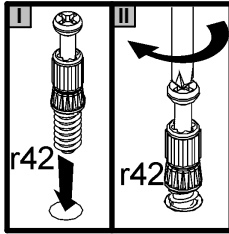
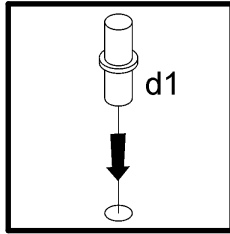
- 1x e1 $\varnothing 7 \times 50$ mm
- 5x f1 $\varnothing 8 \times 30$ mm
- 4x r1 $\varnothing 15 \times 12$ mm #16

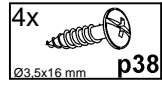


1

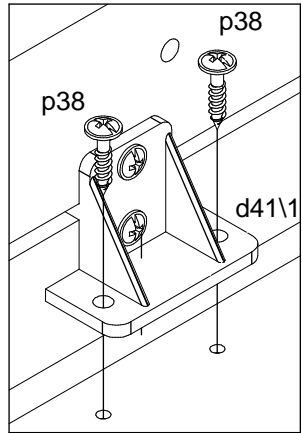
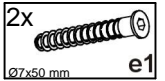
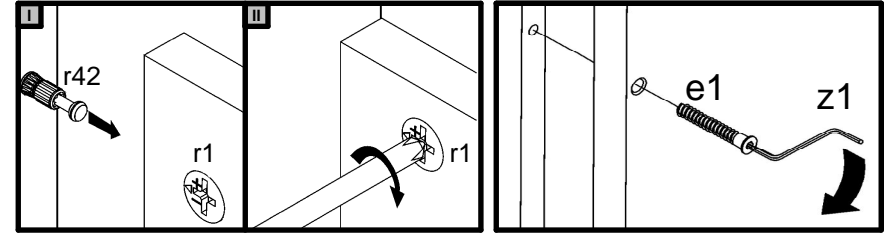
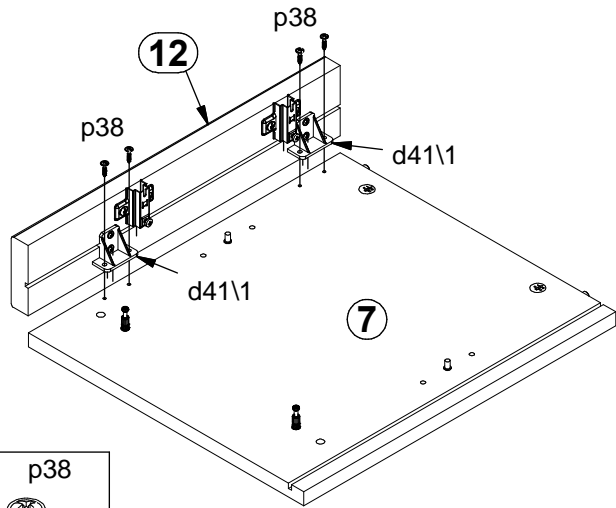


- 6x r42 $\varnothing 20 \times 11$ mm

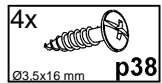
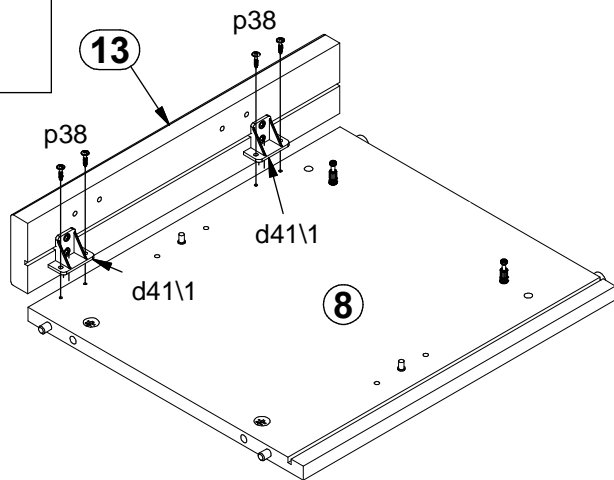




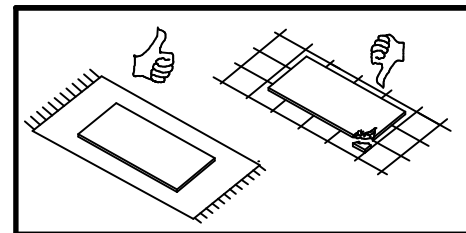
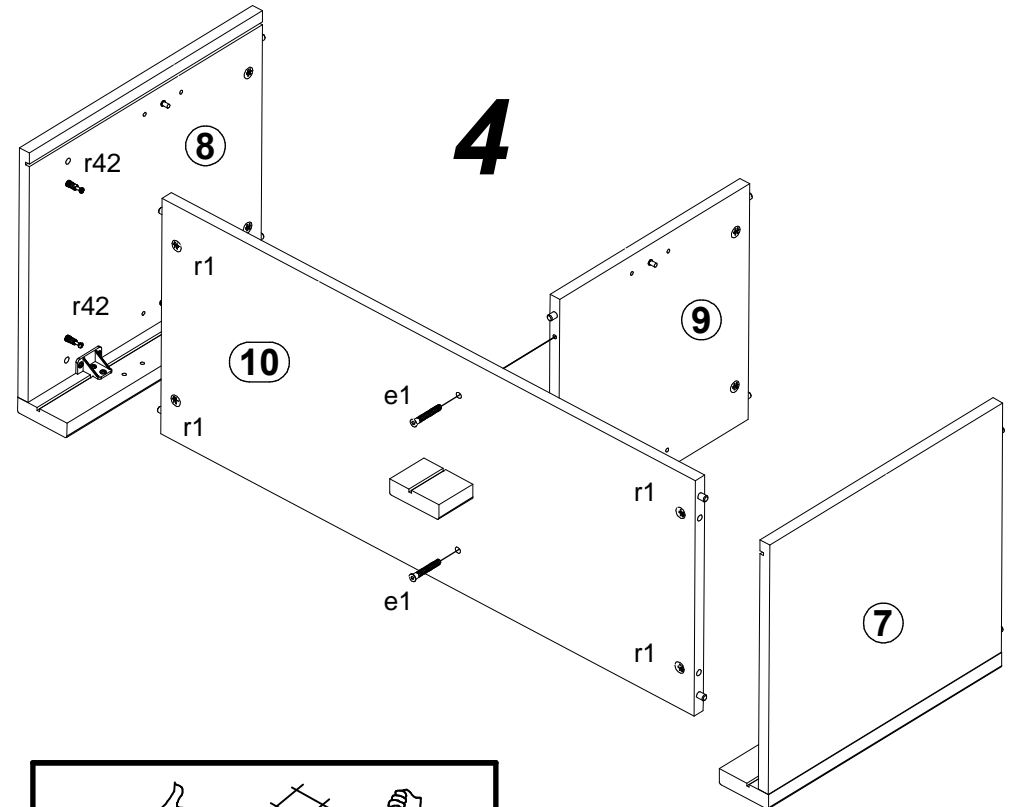
2

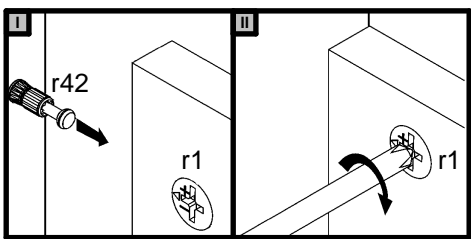


3

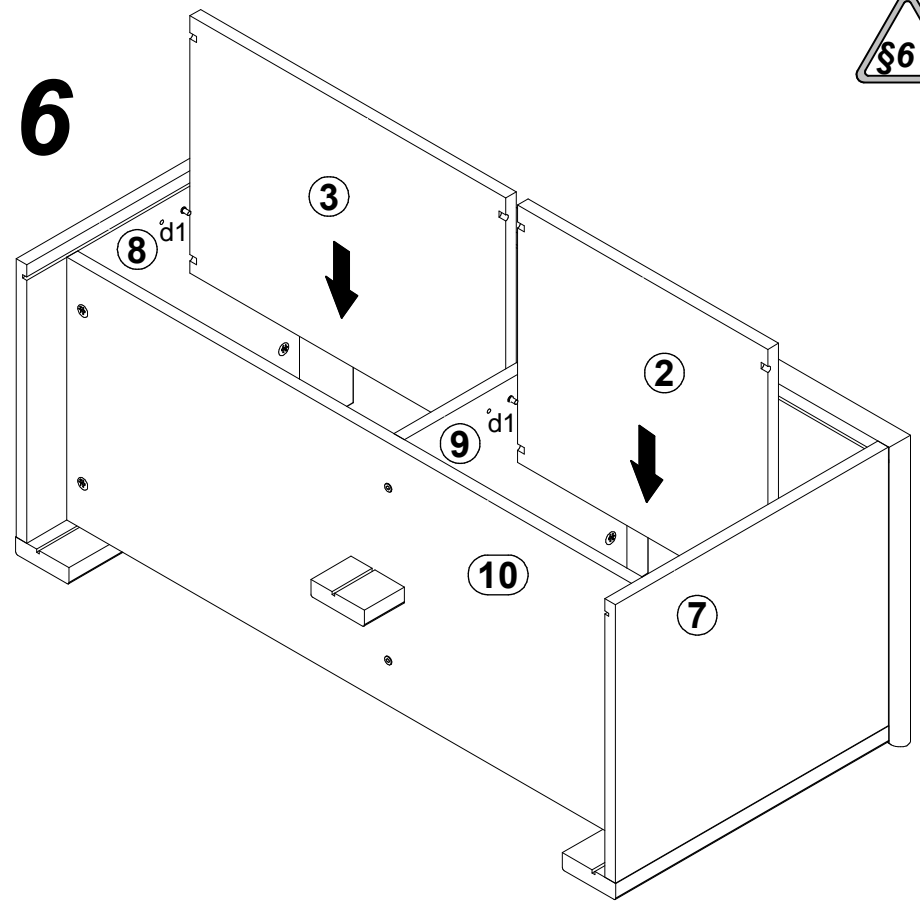


4

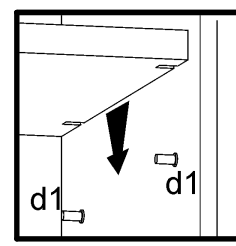
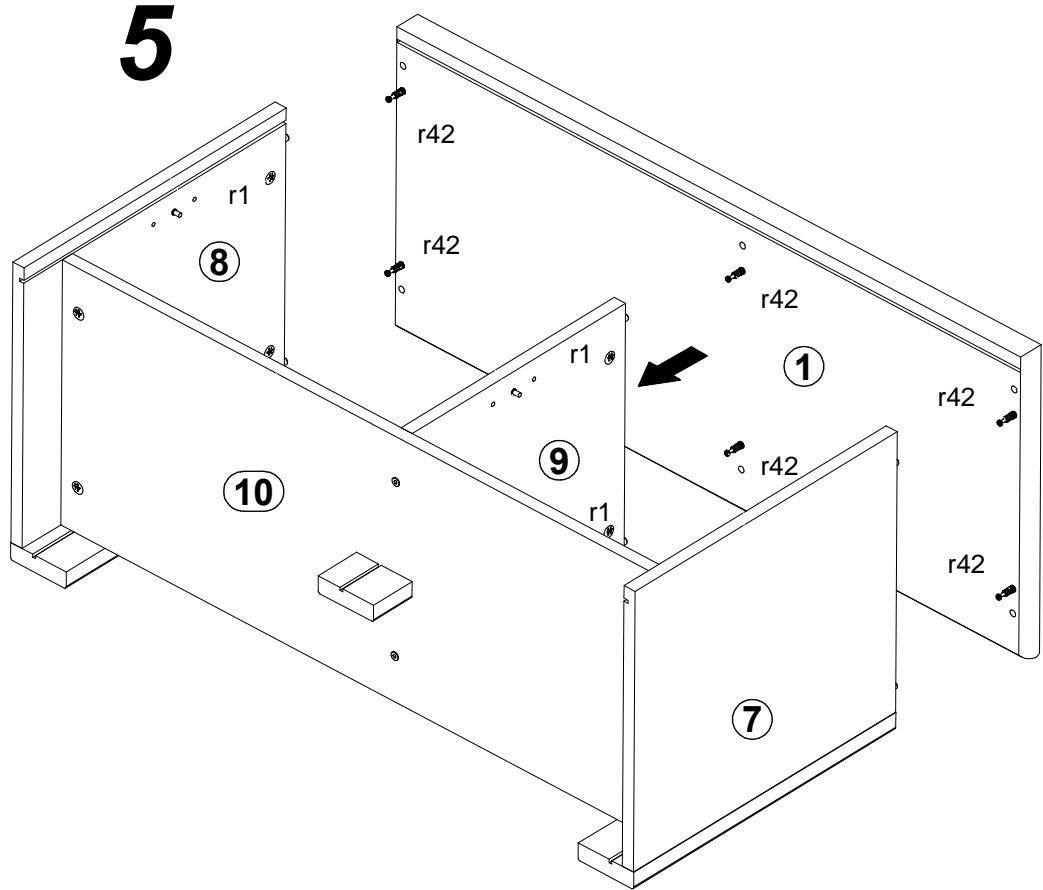




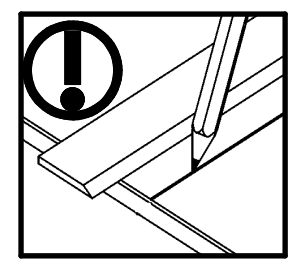
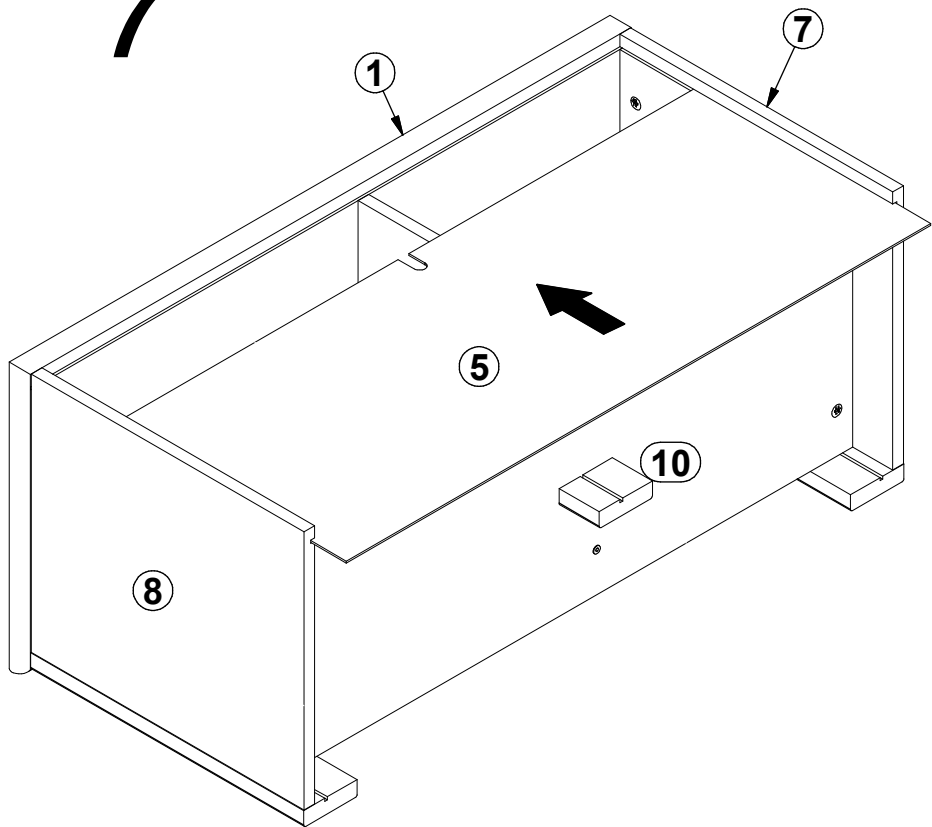
6



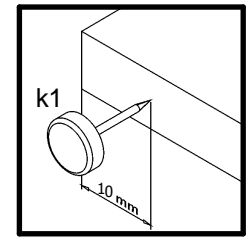
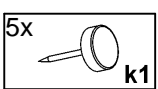
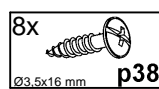
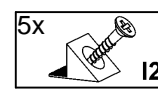
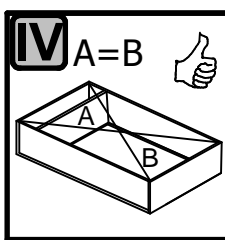
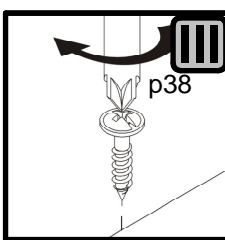
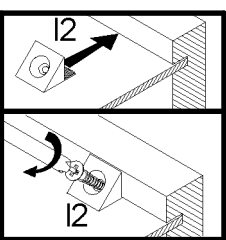
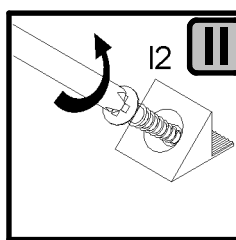
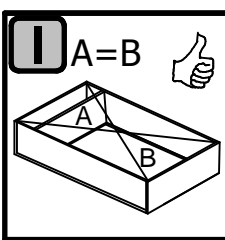
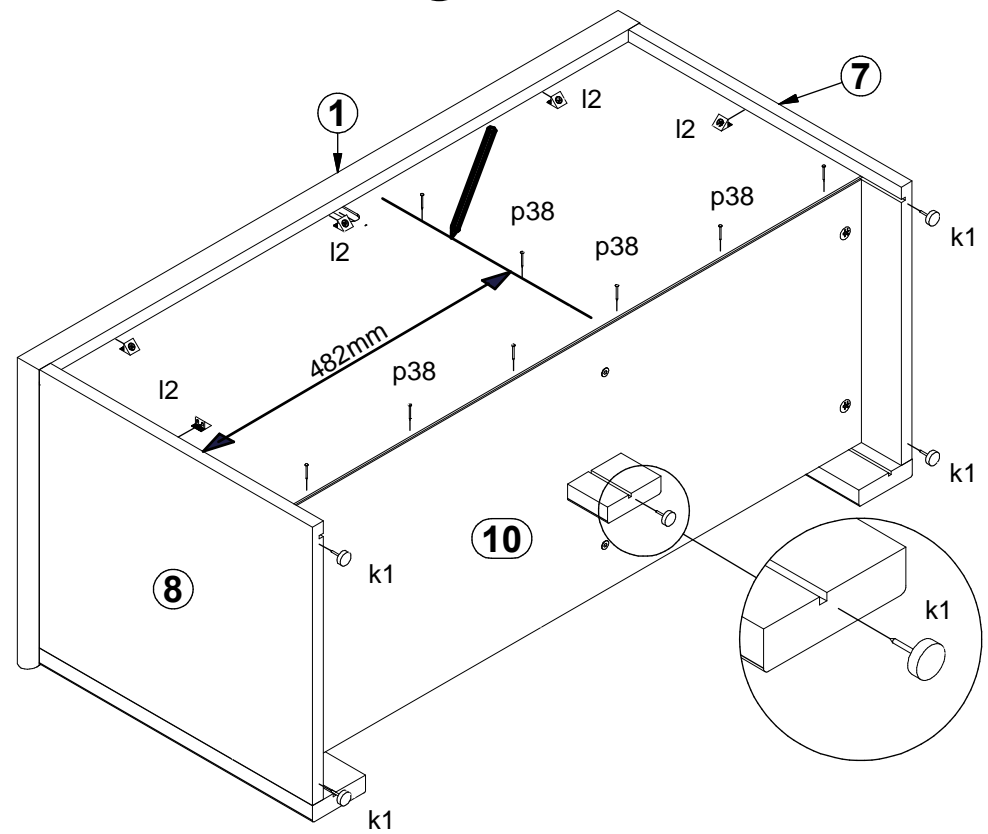
5

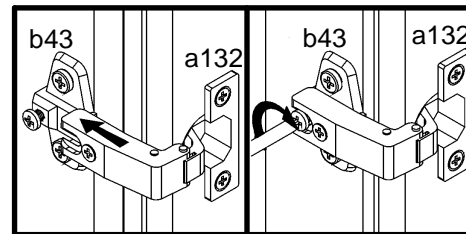
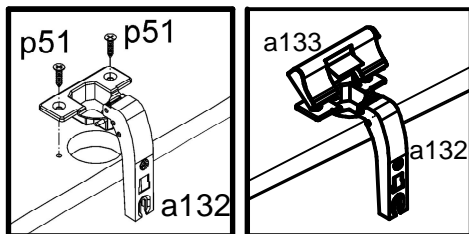


7



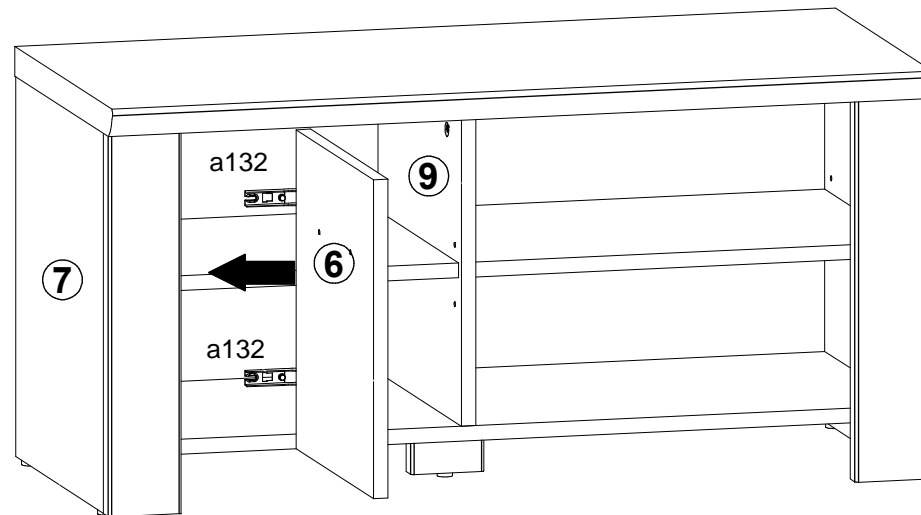
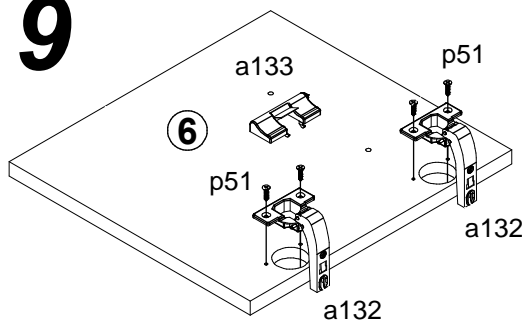
8



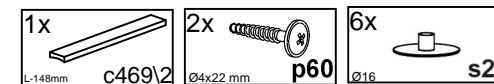
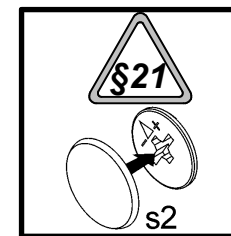
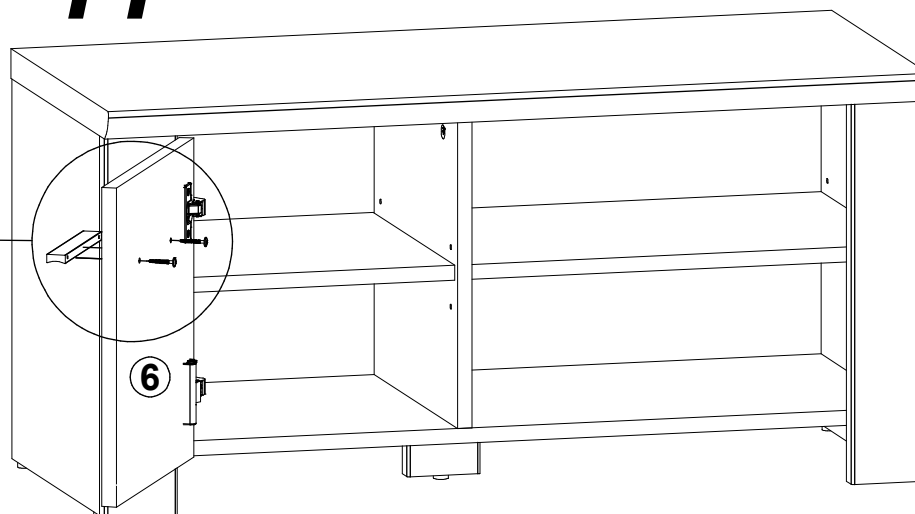
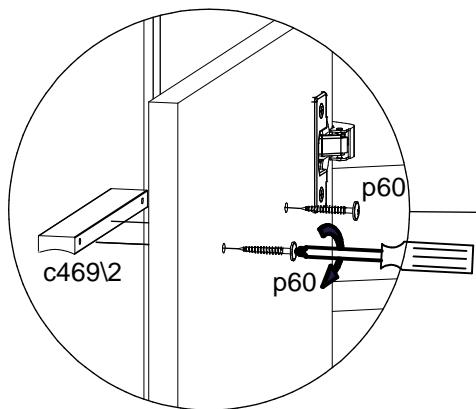


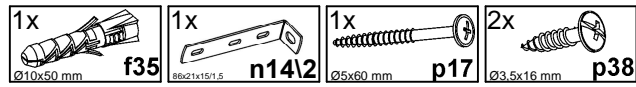
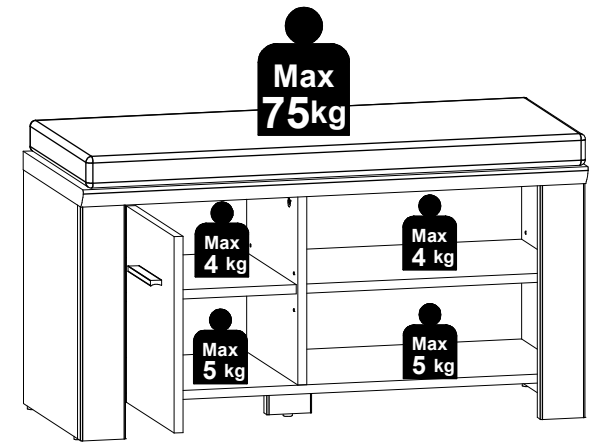
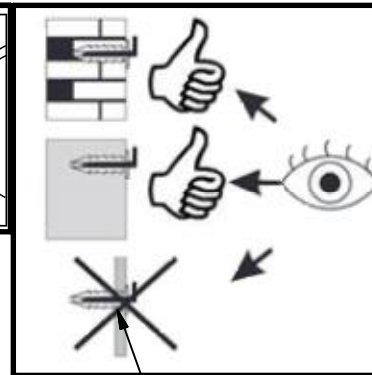
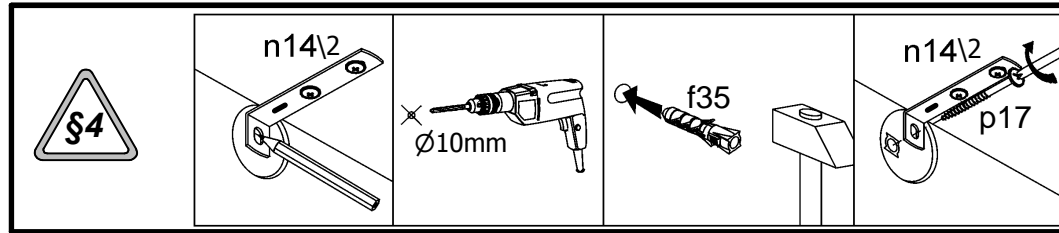
10

9

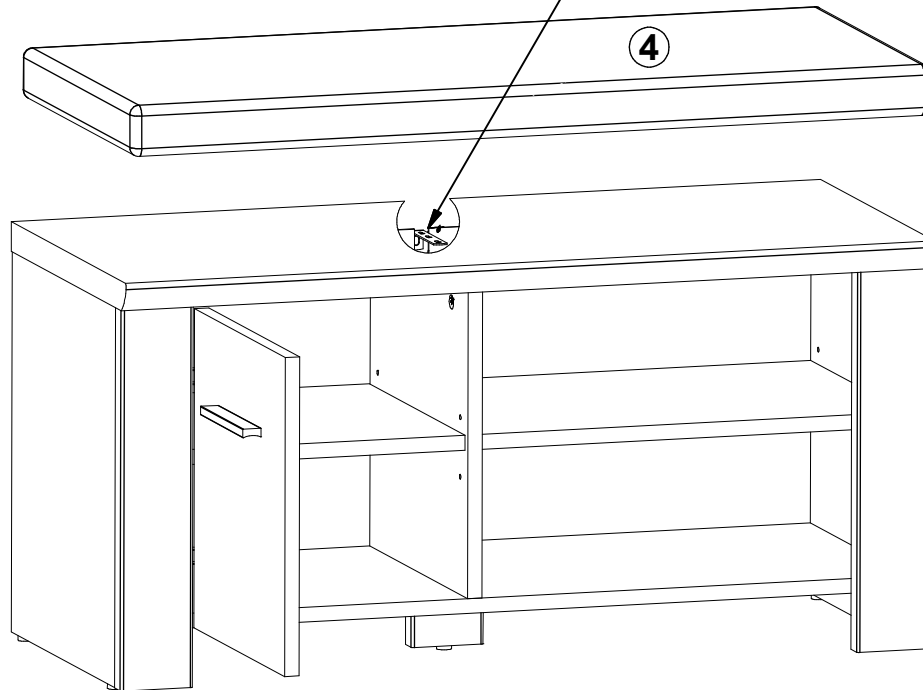


11





12



§10

